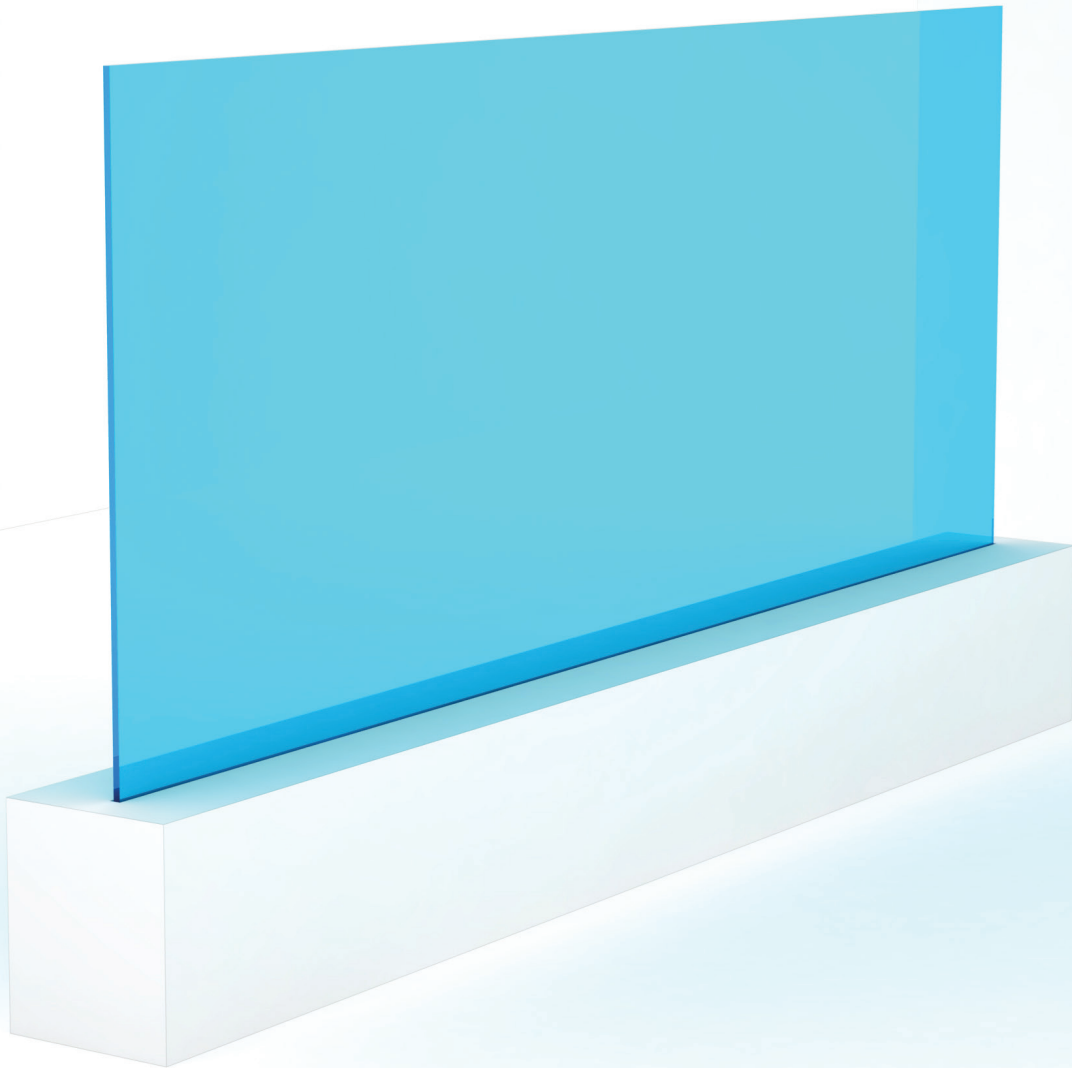


*Ready To Go*  
**SimpleSpec 200.29™**

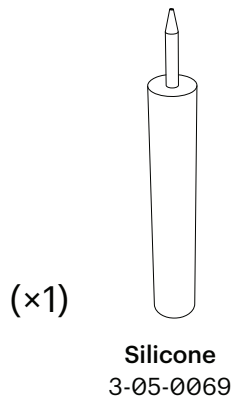
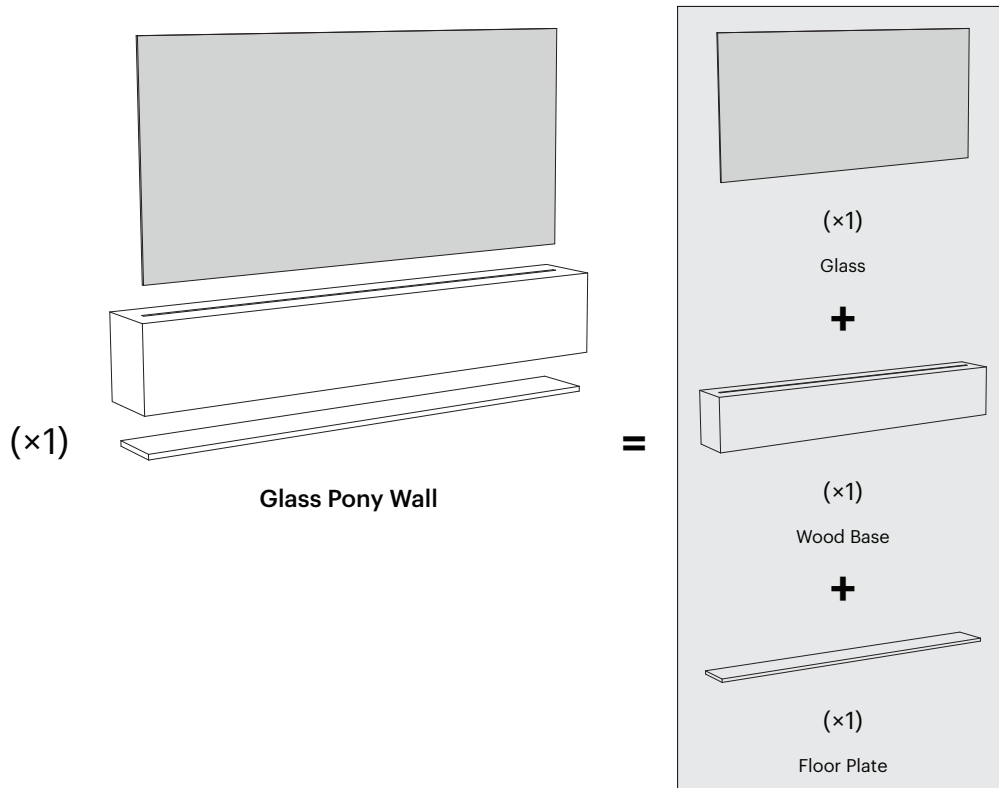
**Installation Manual**



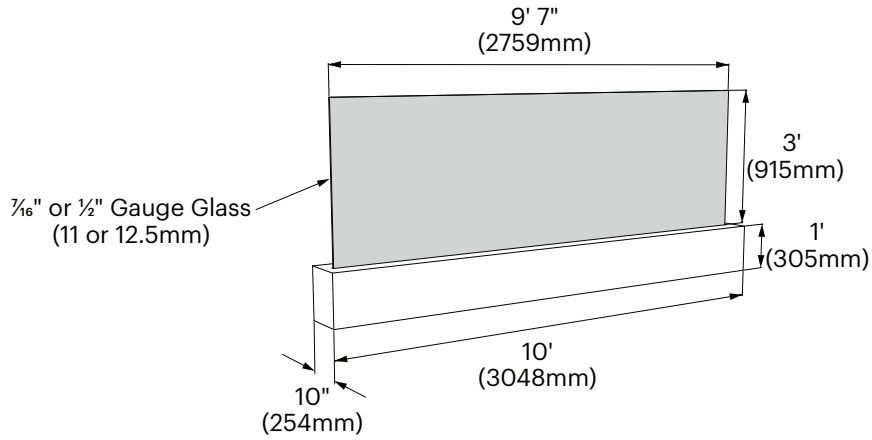
For more information, please visit [3-form.com](http://3-form.com) or call 800.726.0126

JUNE 2017 | MAN-RTG-200-29 | REV 001 © 2017 3form, Inc. All rights reserved.

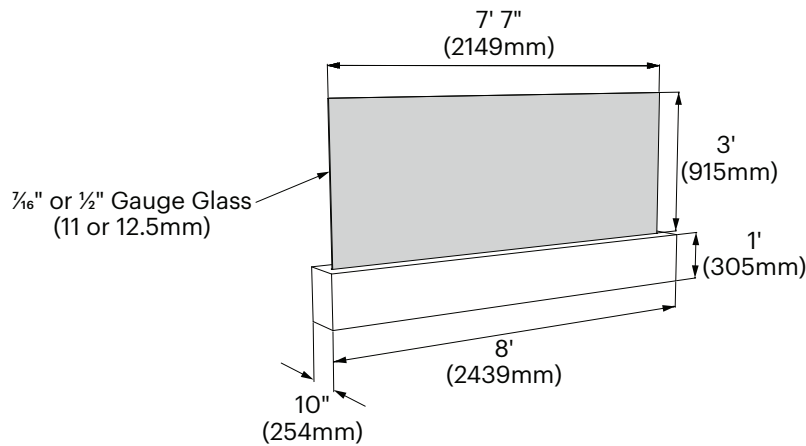
### Contents Overview



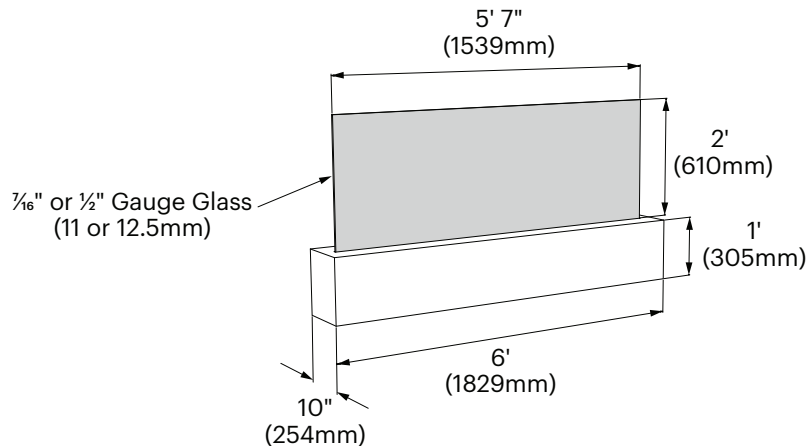
### Overview



**Large**



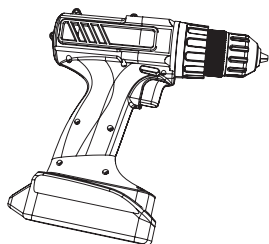
**Medium**



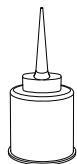
**Small**

### Installation

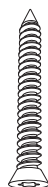
#### Required Tools



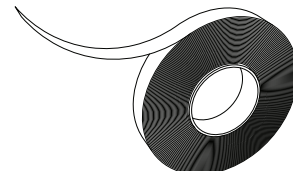
Drill and Assorted Bits



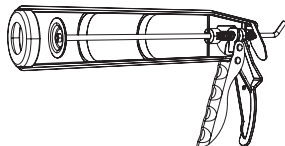
Construction Adhesive



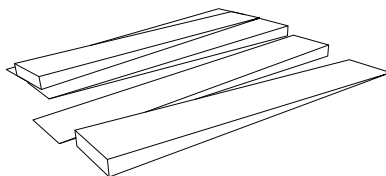
Anchor Screws  
(Substrate Dependent)



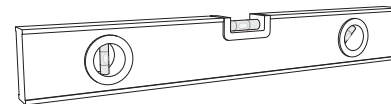
Masking Tape



Caulking Gun



Shims

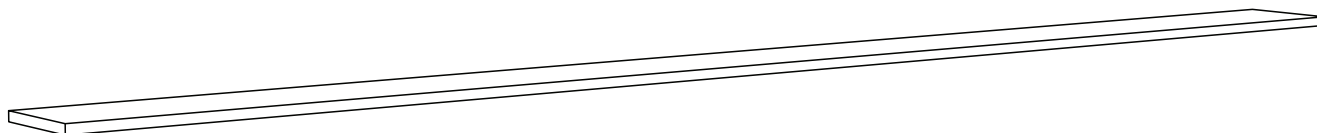
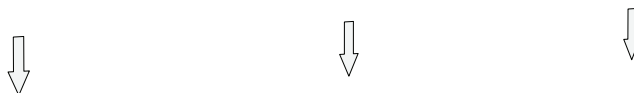
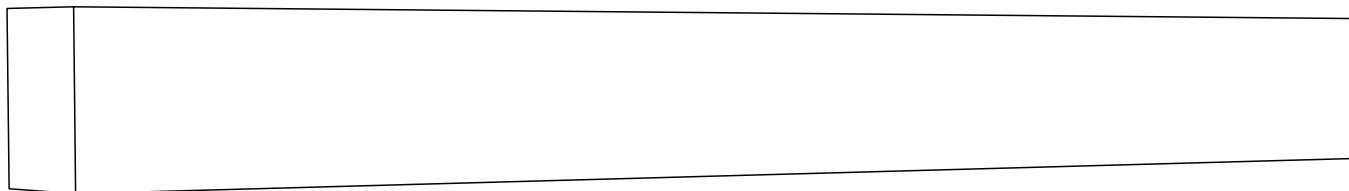


Level

## 1 Attach Floor Plate to Floor

**a** 3form requires the 200.29 system be attached to the floor so that it will not tip when leaned on or against.

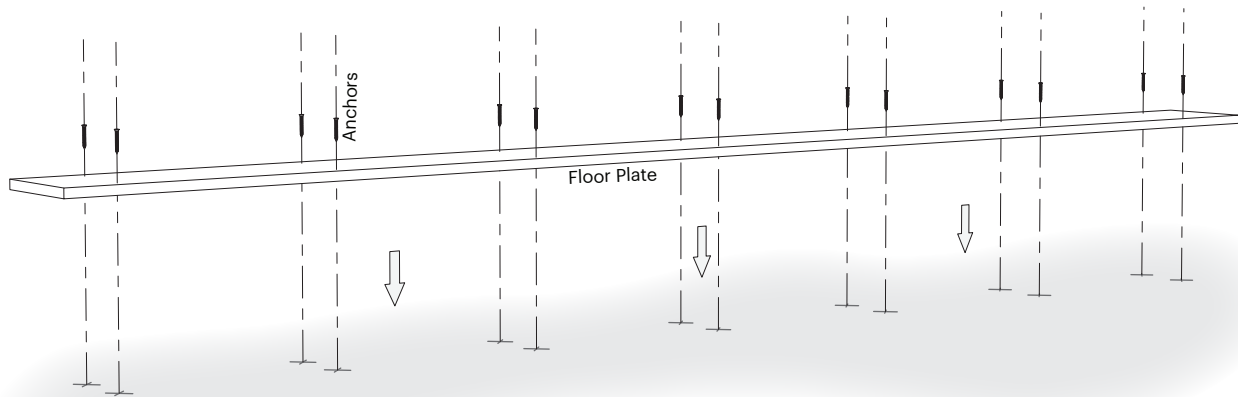
**b** Remove floor plate from the bottom of the wood base.



### Installation

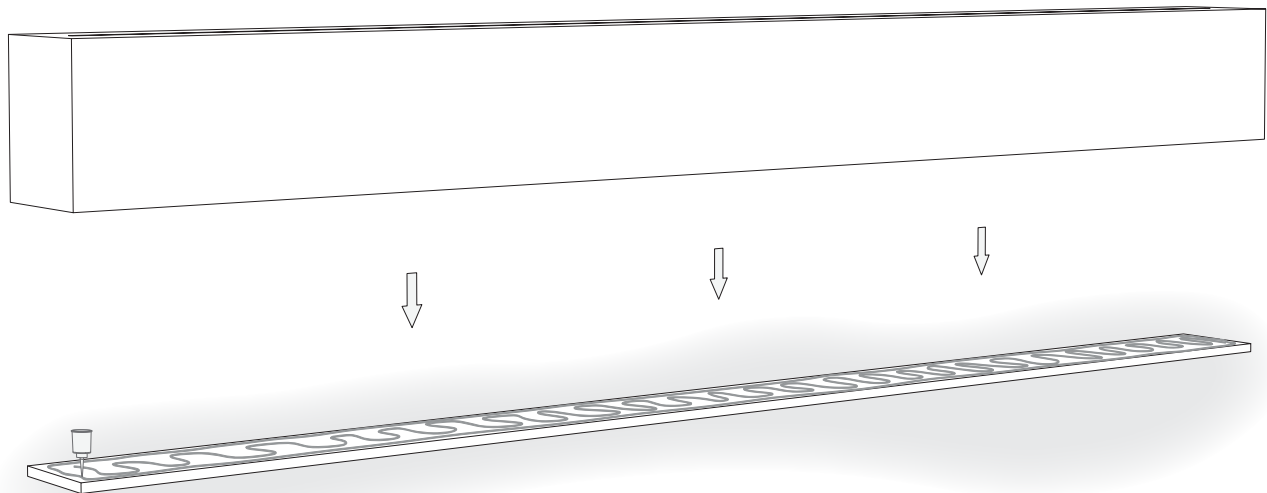
#### 1 Attach Floor Plate to Floor

**C** Anchor plate to floor in desired location. Anchor with screws or bolts.



#### 2 Attach Wooden Base to Floor Plate

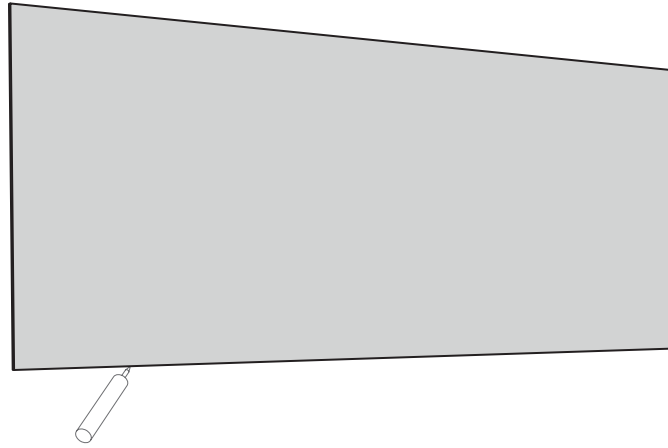
Apply construction adhesive (not included) on the top of the floor plate then place the wooden base over the floor plate.



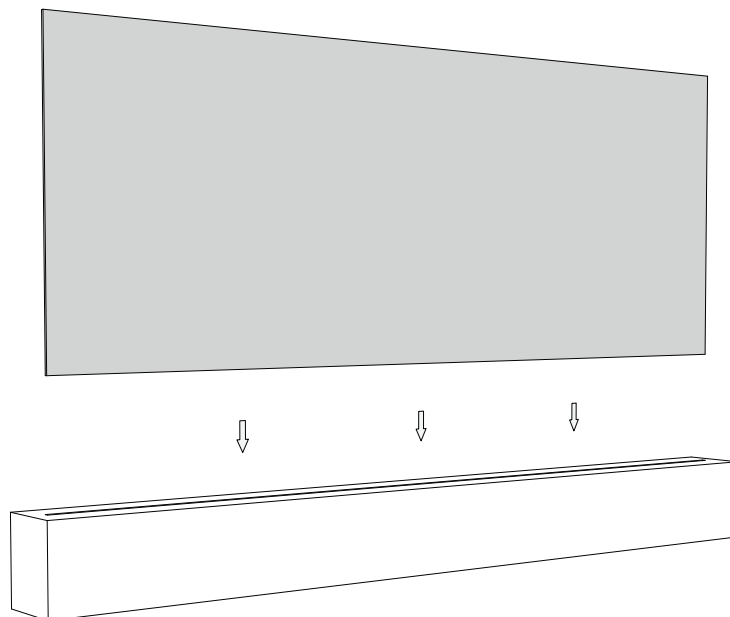
### Installation

#### 3 Install 3form Glass in Wooden Base

- a Apply silicone to bottom edge of 3form Glass.



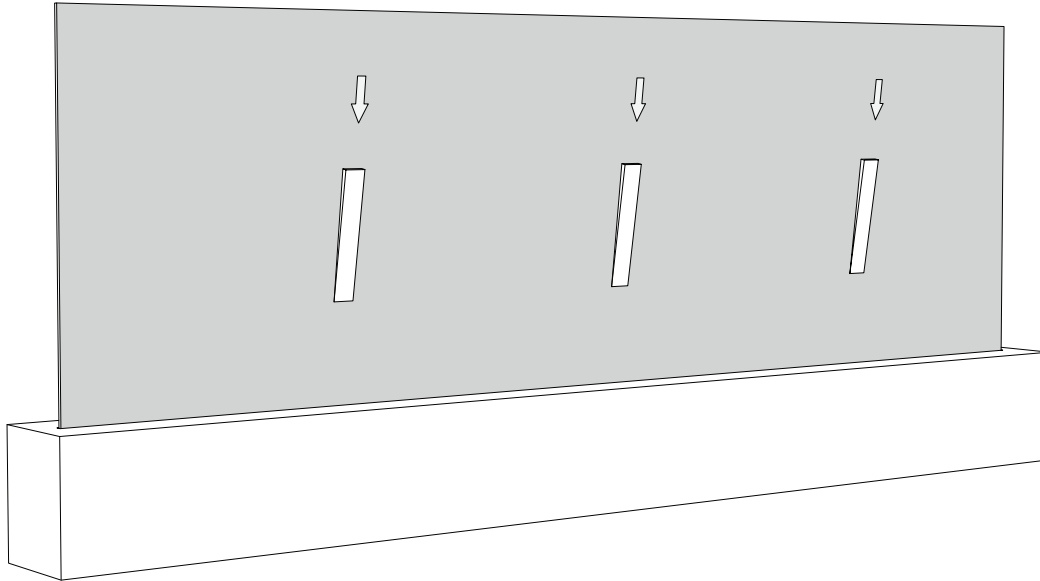
- b Install 3form Glass into wooden slot in base unit.



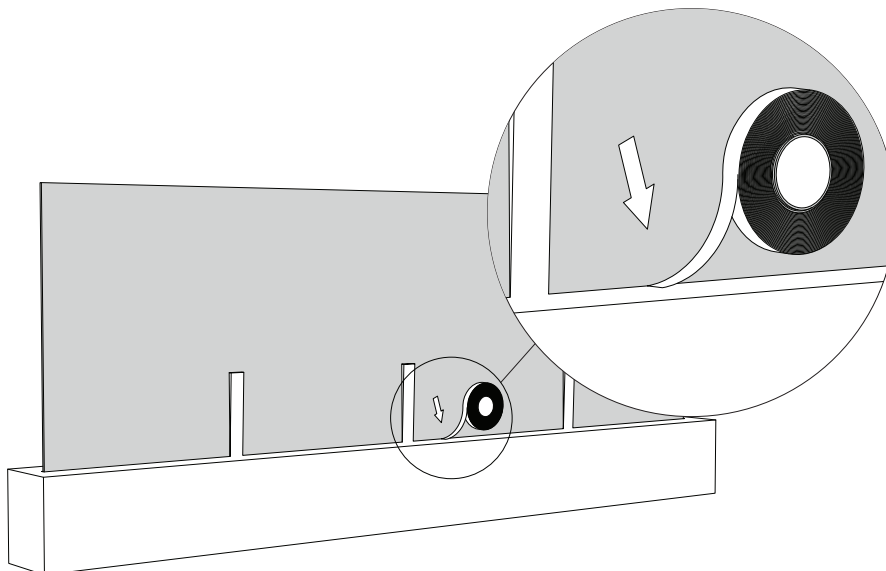
### Installation

#### 3 Install 3form Glass in Wooden Base *cont...*

- c** Shim around the perimeter until it is plumb. Make sure spacing is equal around the glass.



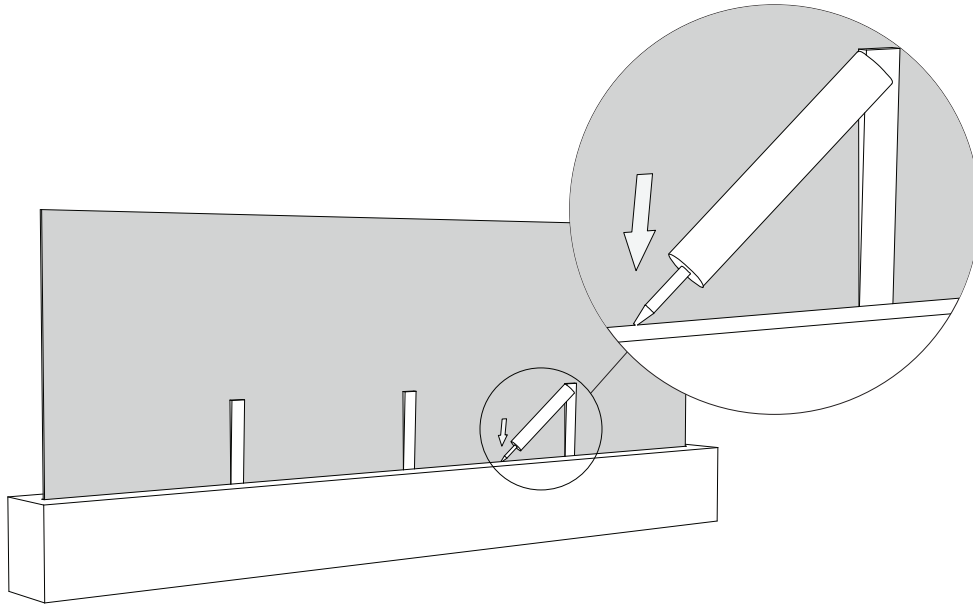
- d** With shims in place, mask off the wood base and glass to protect it when applying silicone.



### Installation

#### 3 Install 3form Glass in Wooden Base *cont...*

- e Apply silicone around perimeter to ensure an even bead. Remove tape immediately.



- f Let silicone dry at least 4 hours, remove shims then remask areas where shims were and then apply silicone. Tool and let dry.

