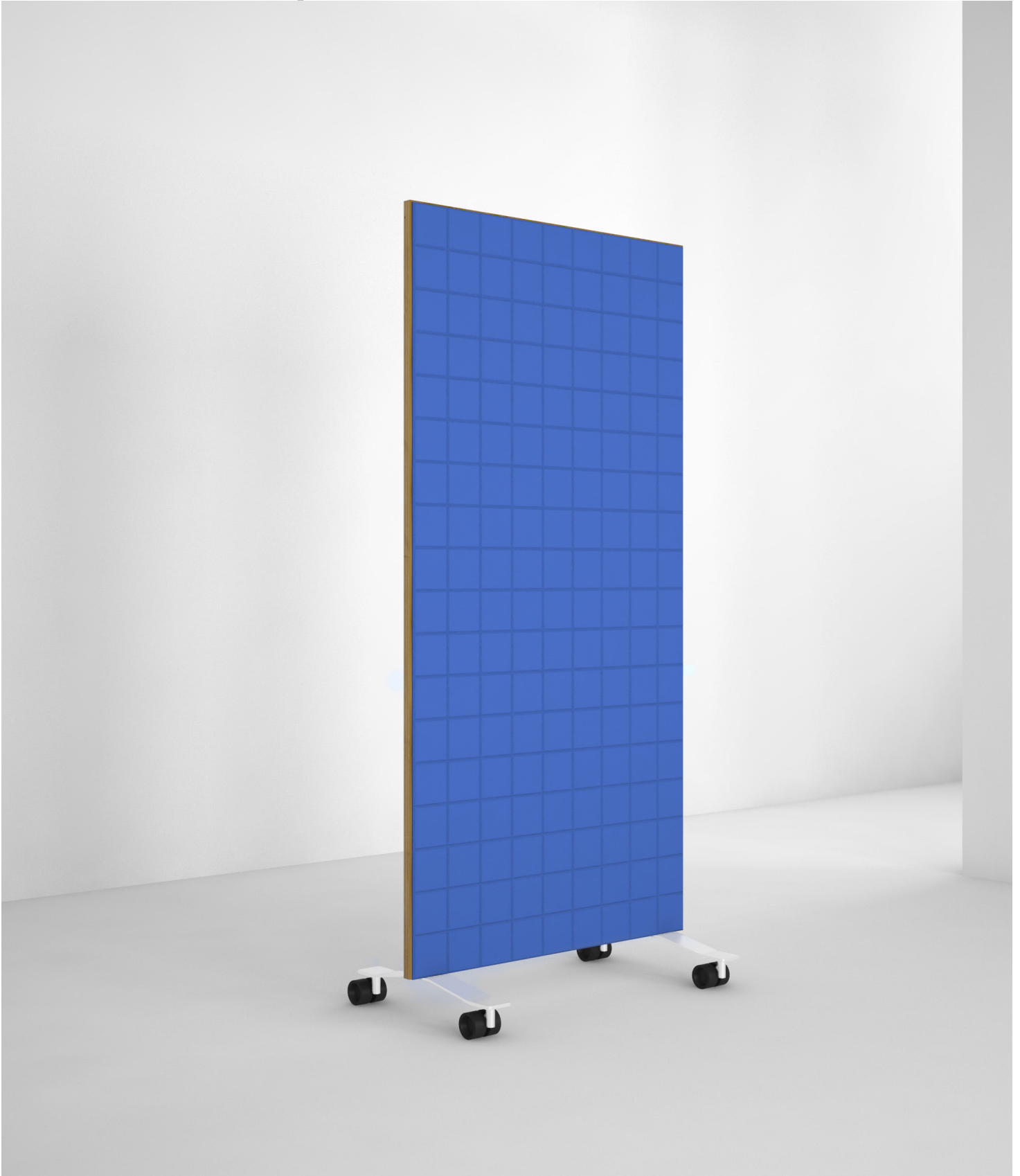


Ready To Go

# 200.63 - Divy Mobile™

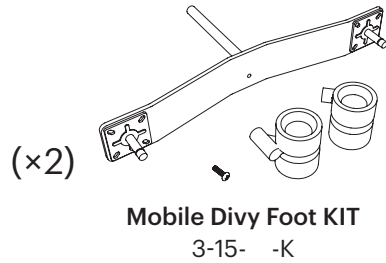
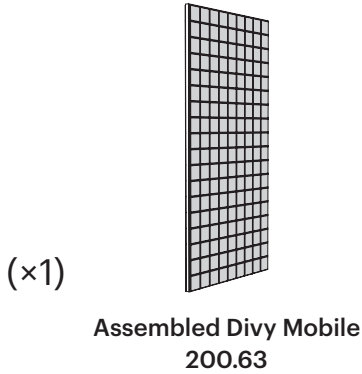
Solution Document



For more information, please visit [3-form.com](https://www.3-form.com) or call 800.726.0126

MARCH 2020 | MAN-RTG-200-63 | REV 004 © 2020 3form, Inc. All rights reserved.

### Contents Overview

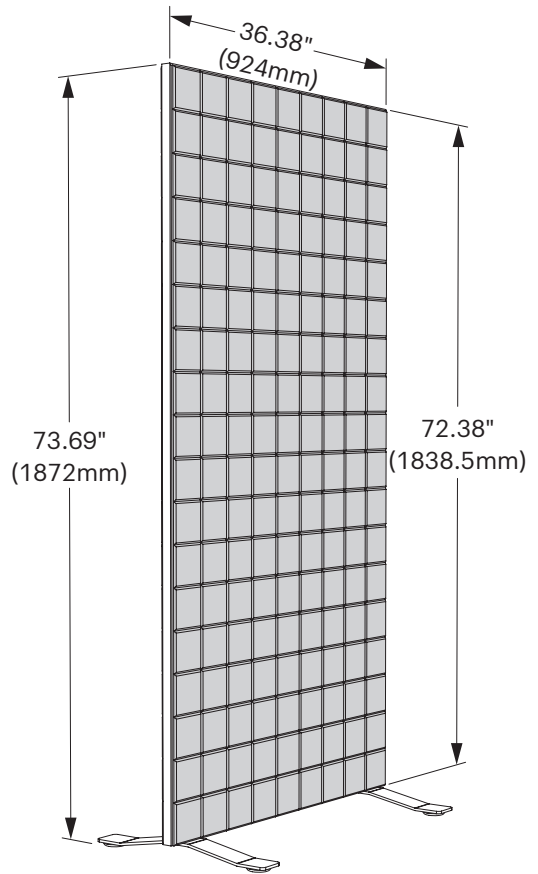
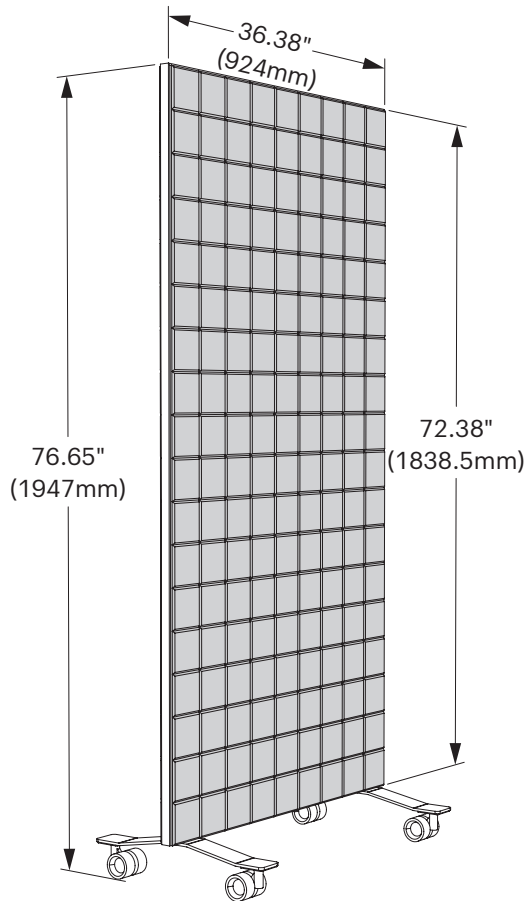


### Required Tools



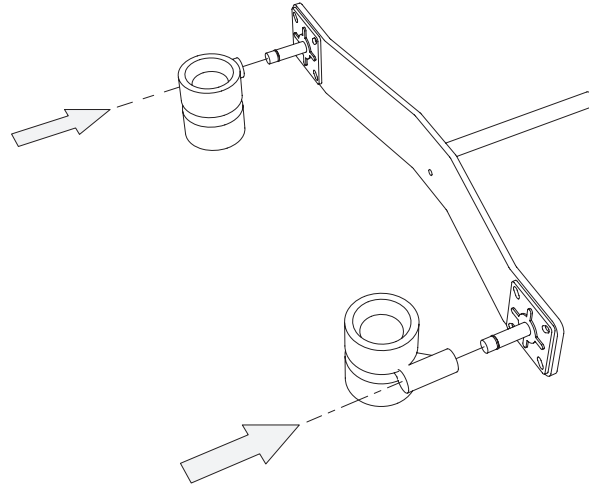
### Overview

The SimpleSpec 200.63 solution is a free standing application that serves as a movable way to partition or divide space.

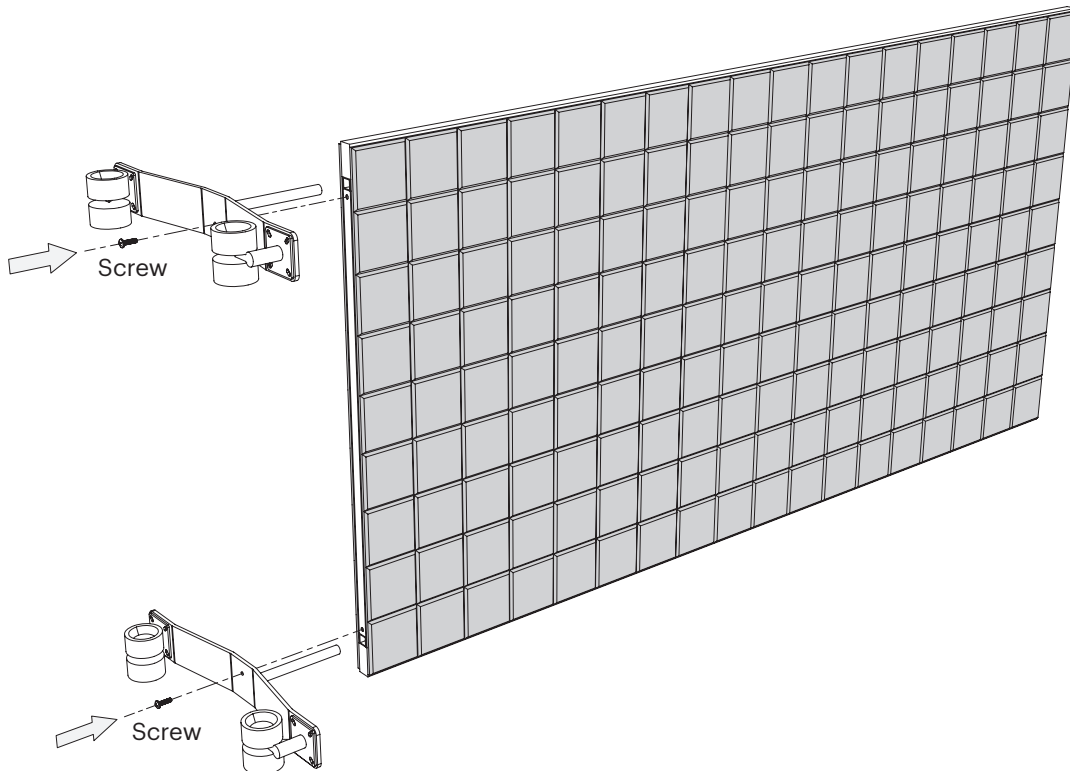


### Installation

#### 1 Attach Casters to Mounting Plate (×2)



#### 2 Attach Mounting Plate to Mobile Divy

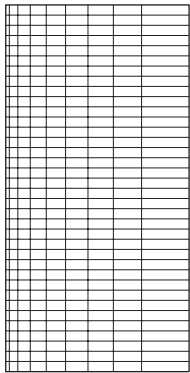


### Product Description and Specifications

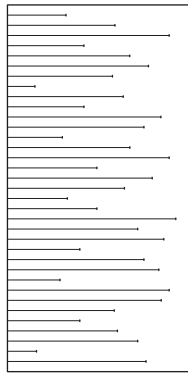
#### Features and Benefits

- 15 color options
- 6 base patterns
- Noise Reduction Coefficient (NRC) up to 0.75
- Cost-effective decorative feature
- Easy to specify
- Easy to install

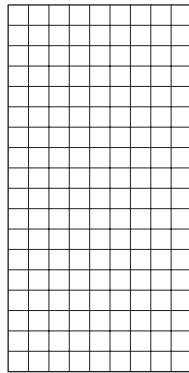
#### Available Patterns



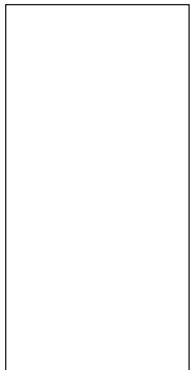
Accord



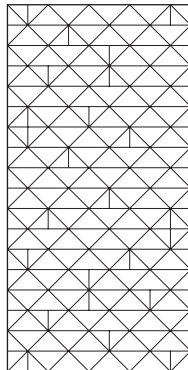
Margin



Net



Plane



Quint



Vim

#### Cleaning Instructions

Divy Panels should be cleaned periodically. A regular, seasonal cleaning program will dramatically help prevent noticeable weathering and dirt build-up.

To remove airborne debris and dust, it is recommended to periodically vacuum Divy Panels. Please note the slight shedding of fibers from the Felt is normal and not indicative of any defect.

To treat liquid stains, remove spills immediately using a clean damp cotton cloth or with detergent soap and warm water. Carpet and fabric cleaners can usually be used; always test an inconspicuous area before the actual stain.

**Do:**

- Vacuum or use a soft brush to clean Divy Panels.

**Do not:**

- Use strong solvents, highly alkaline or abrasive cleaning agents.
- Do not completely saturate module with cleaning solution or water.

#### Available Finishes

Divy Panels can be specified in any of 3form's 15 Sola Felt options.



#### Flammability and Smoke Test Results - Building Code Approvals

Divy Panels have been independently tested and meet the criteria for approved interior finishes as described in the 2018 International Building Code®.

Test	Sola Felt 3/8"	Result
ASTM E84 Flame Spread Smoke Generated	50 300	Class B: 26-75 <450
CAN/ULC 102.2 Flame Spread Smoke Generated	75 200	See Building Code of Canada

#### Sound Absorption Test Results

Solution	Test-ASTM C423-09	Result
Divy	Noise Reduction Coefficient	0.75
Divy	Sound Absorption Average	0.76
Divy	Alpha-W	0.70H

#### Panel Weight

Solution	Thickness	Weight
Divy Partition	1.5" (38.1mm)	36 lbs (16.3 kg)