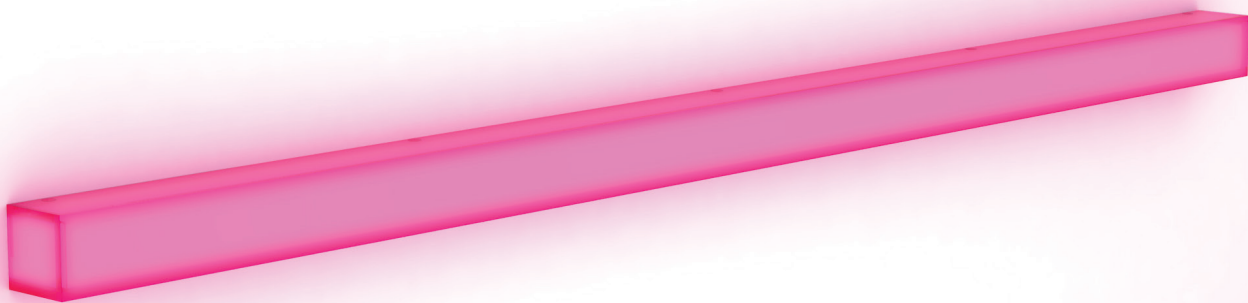


Ready To Go

# SimpleSpec 500.03™

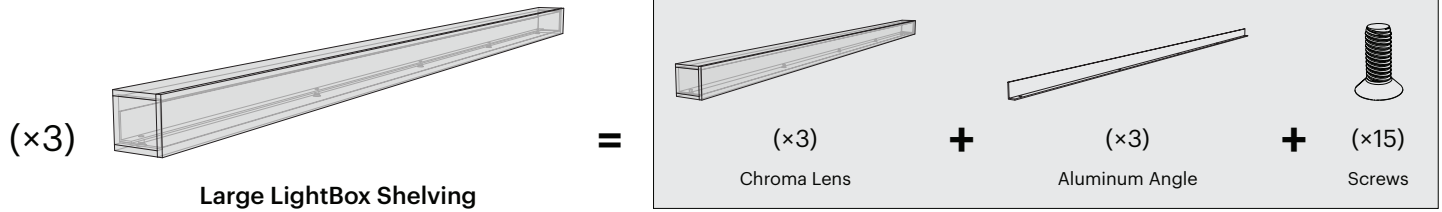
Installation Manual



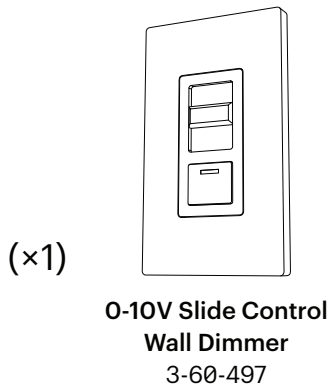
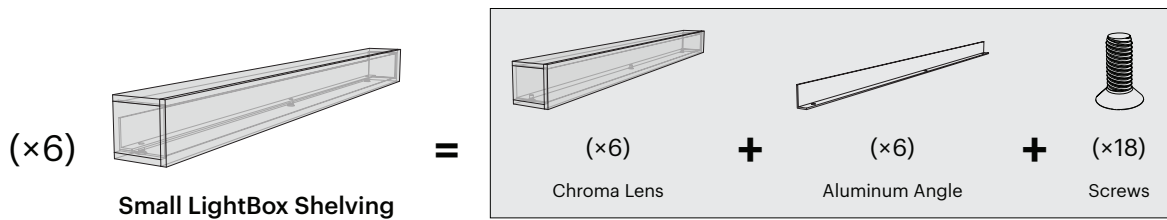
For more information, please visit [3-form.com](http://3-form.com) or call 800.726.0126

JUNE 2017 | MAN-RTG-500-03 | REV 001 © 2017 3form, Inc. All rights reserved.

### Contents Overview

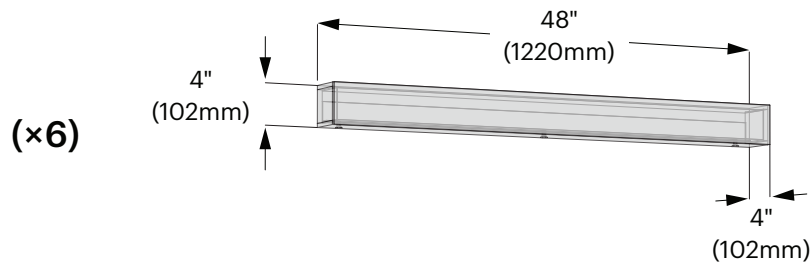


or

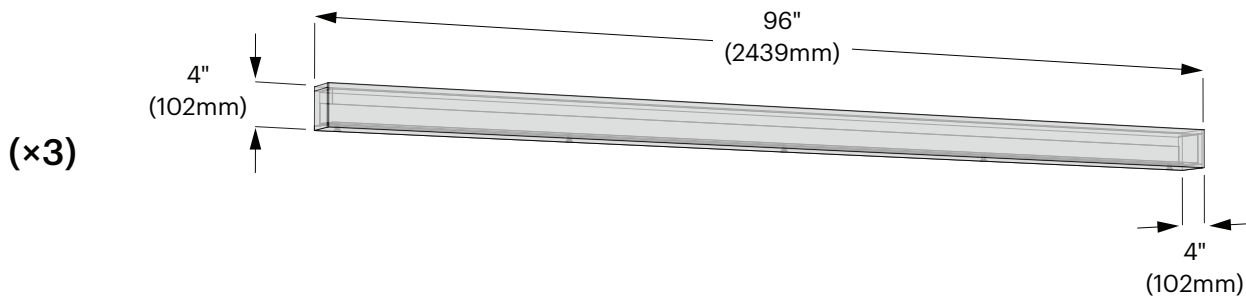


### Overview

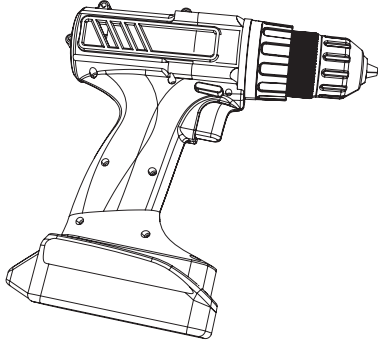
#### Small



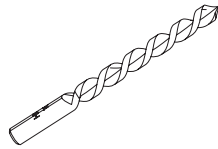
#### Large



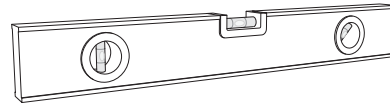
### Required Tools



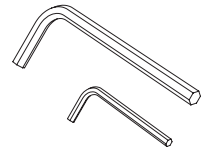
Drill



3/16" Drill Bit



Level



Allen Wrenches

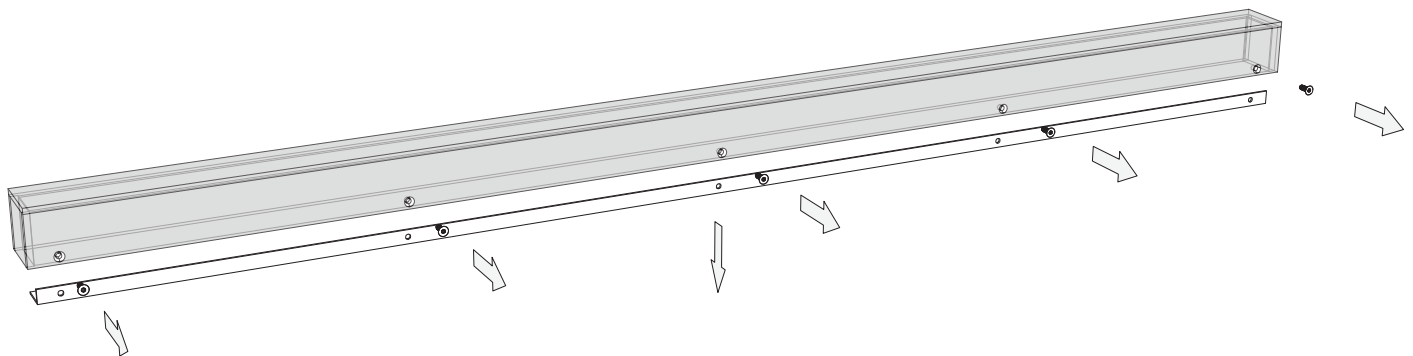


Anchors Appropriate  
for Substrate

## Installation

### 1 Preparation

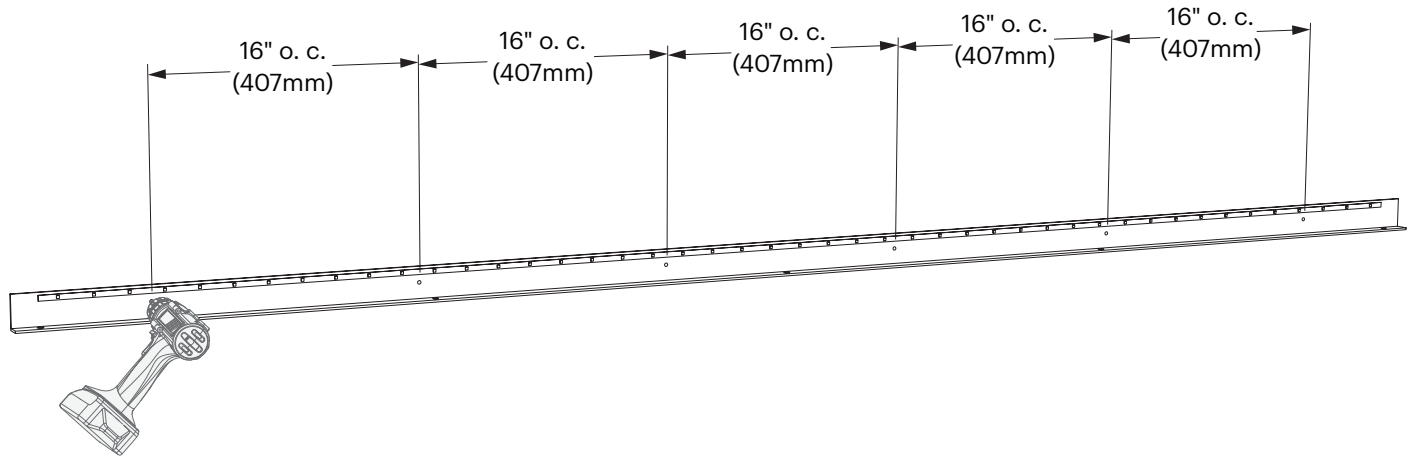
- a** Remove Chroma Lens from aluminum angle by removing the screws with Allen wrench.



### Installation

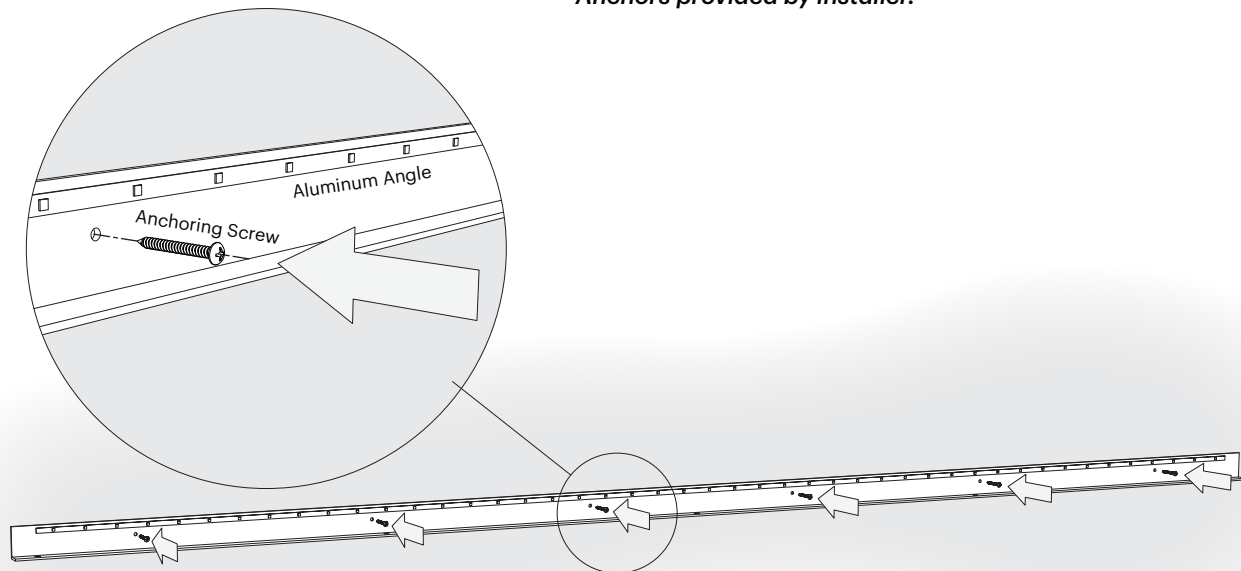
#### 1 Preparation cont...

**b** Drill through aluminum angle for mounting. *Do not drill too close to light tape!*



#### 2 Mount Aluminum Angle

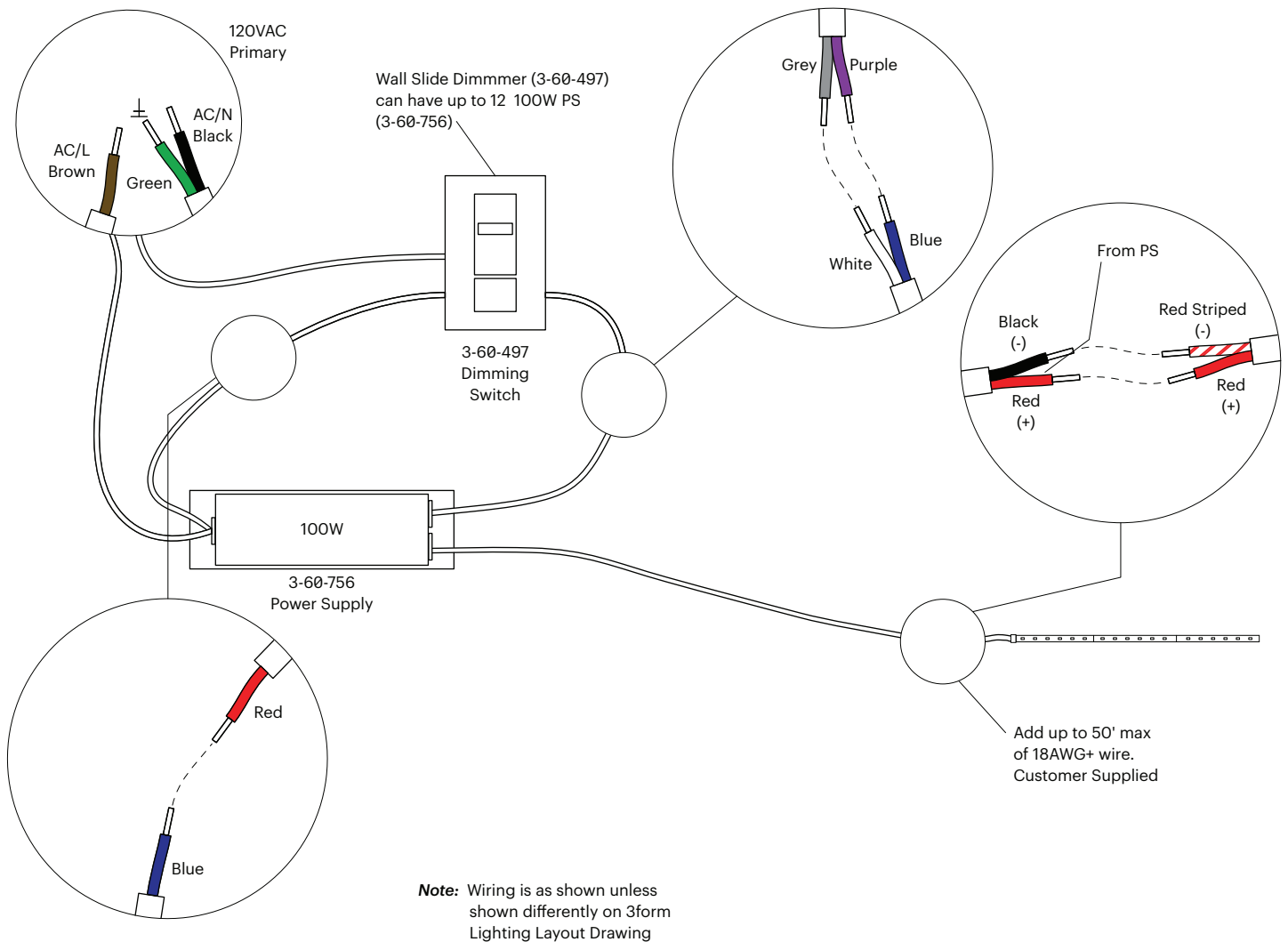
*\*Anchors provided by installer.*



## Installation

### 3 Connect Electrical

Have a qualified electrician wire the lighting to a remote driver (in remote location) and test the lights.



### Installation

#### 4 Reattach Chroma Lens

Slide Chroma Lens over aluminum angle and replace screws into angle. **Do not over tighten!**

