

Desk Partition Front
SimpleSpec 200.67™

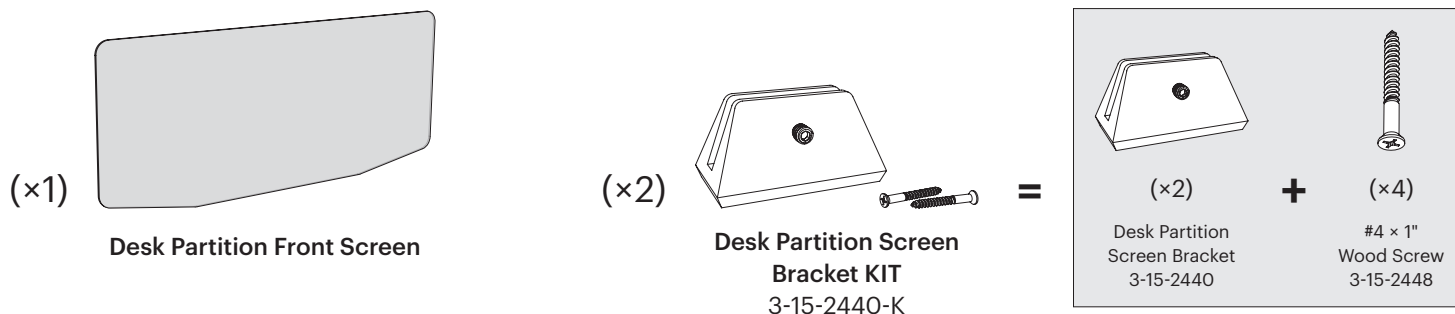
Installation Manual



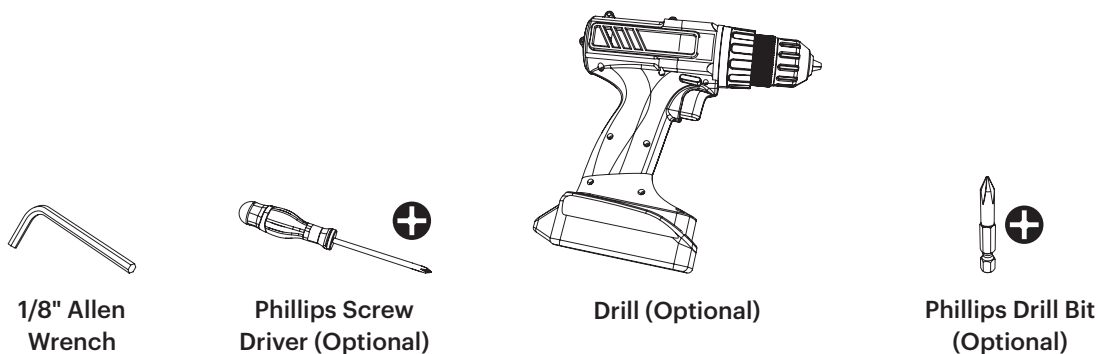
For more information, please visit [3-form.com](https://www.3-form.com) or call 800.726.0126

NOVEMBER 2021 | MAN-RTG-200-67 | REV 002 © 2021 3form, Inc. All rights reserved.

Contents Overview



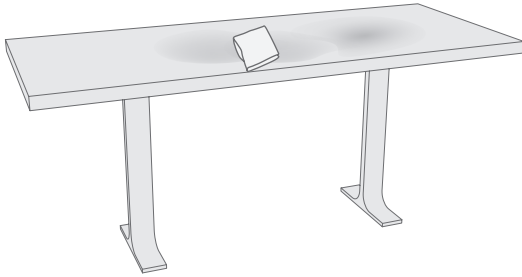
Required Tools



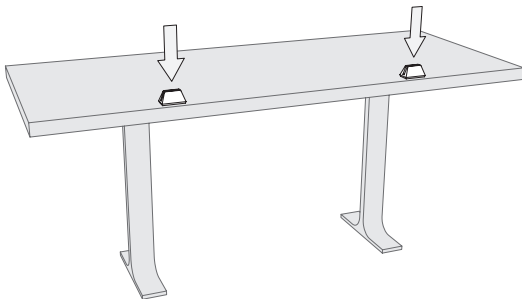
Installation

1 Prepare

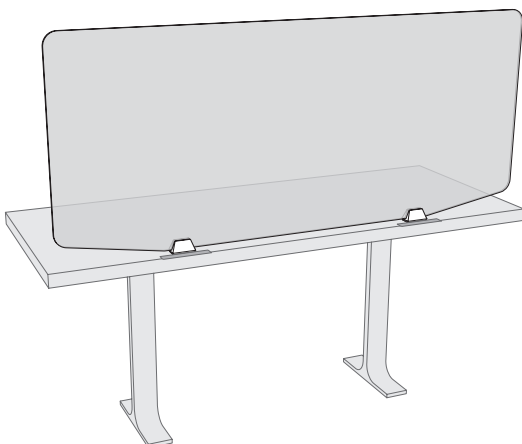
a Clean Surface



b Stage the Brackets (3-15-2440). The bracket location on Felt Screens is pre-determined based on fabrication detailing.

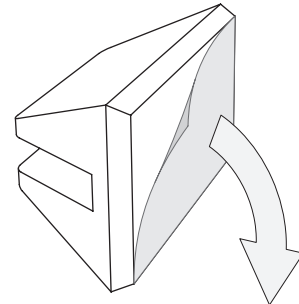


c With screen in place mark position of brackets. Then set screen aside until Step 3.



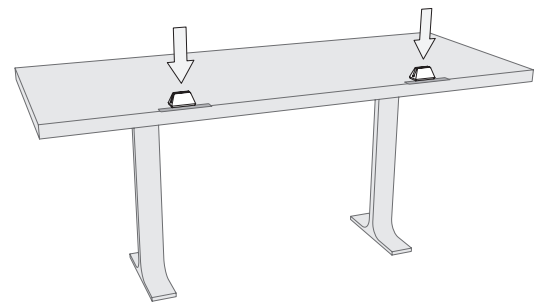
2 Install Brackets

a Remove protective film from brackets.



**If in the future it is necessary to remove the adhesive, follow the instructions in this video:
<https://www.youtube.com/watch?v=6-VSl9w7b4M>*

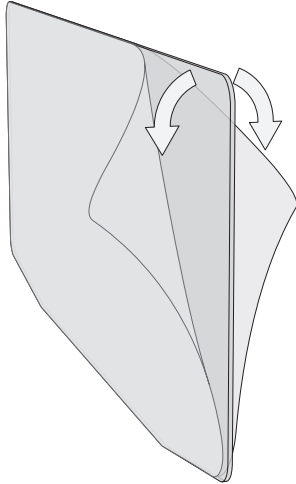
b Adhere Brackets to surface. Brackets may be installed with screws (3-15-2448) if desired.



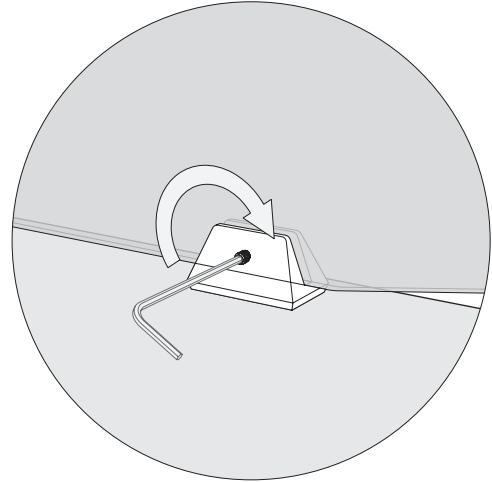
Installation

3 Install Screen

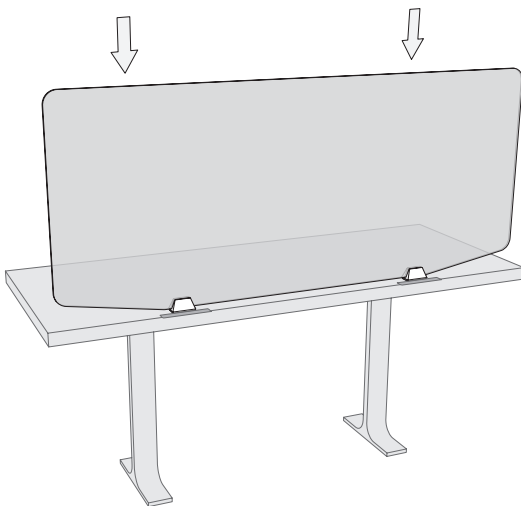
a Remove protective film from both sides of screen.



c Tighten set screws.



b Install screen.



Product Description and Specifications

Features and Benefits

- Easy to install black hardware
- Overall dimensions: 57.75" back x 24" high
- Minimum screen size of 12" wide x 4" high per segment
- Custom sizing up to a 96" overall length and max 24" high, available through your Sales Rep
- Ships flat

Flatness Tolerance

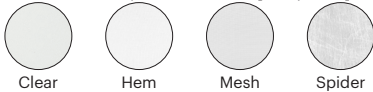
Screens shall not have distortion in the form of a wrinkle, twist or scallop along the perimeter of the sheet. Overall warp extending across the sheet is permitted to a maximum of 9/32" (7.14 mm) for each 48" (1.2 m) or fraction thereof. Screen is to be measured when laying horizontally under its own weight on a flat continuous surface.

Design Options

- Available in 1/4" (6.35mm) Design Material or Clear Material
- Contains 40% recycled content and a Declare Label

Available Finishes/Textures

3form Design Option Screens come standard with both a front and back Sandstone surface finish (clear). Sandstone is a durable surface finish that has a subtle grainy texture with a slightly frosted look. Additional Material Finishes include Hem, Mesh and Spider. White fabric versions are shown below. See www.3-form.com/Elements for all [Hem/Mesh] color options.



Usage Limitations

Do not use cyanoacrylate or solvent type thread locking materials with screens.

Flammability and Smoke Test Results

- *Building Code Approvals*
Screens have been independently tested and meet 2018 International Building Code criteria.

Test	Design Options	Result
ASTM D 2843 Smoke Density	71.6%F	Pass < 75%F
ASTM D 635	Self Extinguishing	Pass CC1
ASTM D 1929 Self-ignition	716%F	Pass > 650%F
UL94	Flame Class - HB	Pass
UPITT Mortality Test	Pass	Not more toxic than wood
ASTM E84-03 Flame Spread, 1/4" thick Smoke Generated	65 425	Class B: 26-75 ≤450
NFPA 286 1/4" thickness	Pass	Pass

Cleaning Instructions

3form screens should be cleaned periodically. A regular, seasonal cleaning program will dramatically help prevent noticeable weathering and dirt build-up. 3form recommends the use of the following common cleaning products: Windex, Formula 409, Simple Green, Fantastik, Virex, 10:1 Water/Bleach Solution.

Rinse screens with lukewarm water. Remove dust and dirt from screens with a soft cloth or sponge and a solution of mild soap and/or liquid detergent in water. A 50:50 solution of isopropyl alcohol and water also works well. Rinse thoroughly with lukewarm water.

Do:

- Always use a soft, damp cloth to blot dry. (Rubbing with a dry cloth can scratch the material and create a static charge)

Do not:

- Use scrapers or squeegees on screens
- Use scouring compounds, gasoline, benzene, acetone, carbon tetrachloride, certain deicing fluids, lacquer thinner or other strong solvents
- Use highly alkaline or abrasive cleaning agents
- Rub with a dry cloth

Acoustic Options

- Available in 3/8" (9.53mm) Sola Felt
- NRC Rating of 0.35 (Alpha W .25H)

Available Finishes

Screens can be specified in a variety of color options. See 3form's Sola Felt colors at:

<https://www.3-form.com/materials/sola-felt>

Flammability and Smoke Test Results

- *Building Code Approvals*
Screens have been independently tested and meet 2018 International Building Code criteria.

Test	Felt	Result
ASTM E84-03 Flame Spread, 1/4" thick Smoke Generated	10 55	Class A: 0-25 ≤450

Sound Absorption Test Results

Test-ASTM C423-09	Result
Noise Reduction Coefficient Alpha-W	0.35 0.25

Cleaning Instructions

To remove airborne debris and dust, 3form recommends to periodically vacuum Felt Screens. The slight shedding of fibers from the Felt is normal and not indicative of any defect.

To treat liquid stains, remove spills immediately using a clean damp cotton cloth or with detergent soap and warm water. Carpet and fabric cleaners can usually be used; always test an inconspicuous area before the actual stain.

Do:

- Vacuum or use a soft brush to clean Felt Screens

Do not:

- Use strong solvents, highly alkaline or abrasive cleaning agents
- Do not completely saturate module with cleaning solution or water

Clear Gloss Option

- Available in 1/4" (6.35mm) PETG Gloss
- Provides high impact resistance with glass-like translucency

Available Textures

3form Desk Partition PETG Gloss is a clear material with a high gloss finish on both the front and back surface that provides clarity and unobstructed views.

Usage Limitations

Do not use cyanoacrylate or solvent type thread locking materials with Desk Partition PETG Gloss.

Flammability and Smoke Test Results

- *Building Code Approvals*
Screens have been independently tested and meet 2018 International Building Code criteria.

Test	PETG Gloss	Result
ASTM D 2843 Smoke Density	71.6%F	Pass < 75%F
ASTM D 635	Self Extinguishing	Pass CC1
ASTM D 1929 Self-ignition	716%F	Pass > 650%F
UL94	Flame Class - HB	Pass
UPITT Mortality Test	Pass	Not more toxic than wood
ASTM E84-03 Flame Spread, 1/4" thick Smoke Generated	65 425	Class B: 26-75 ≤450
NFPA 286 1/4" thickness	Pass	Pass

Cleaning Instructions

3form Desk Partition PETG should be cleaned periodically. A regular, seasonal cleaning program will dramatically help prevent noticeable weathering and dirt build-up. 3form recommends the use of the following common cleaning products: Windex, Formula 409, Simple Green, Fantastik, Virex, 10:1 Water/Bleach Solution.

Rinse screens with lukewarm water. Remove dust and dirt from Desk Partition PETG with a soft cloth or sponge and a solution of mild soap and/or liquid detergent in water. A 50:50 solution of isopropyl alcohol and water also works well. Rinse thoroughly with lukewarm water.

Do:

- Always use a soft, damp cloth to blot dry. (Rubbing with a dry cloth can scratch the material and create a static charge)

Do not:

- Use scrapers or squeegees on Desk Partition PETG
- Use scouring compounds, gasoline, benzene, acetone, carbon tetrachloride, certain deicing fluids, lacquer thinner or other strong solvents
- Use highly alkaline or abrasive cleaning agents
- Rub with a dry cloth