

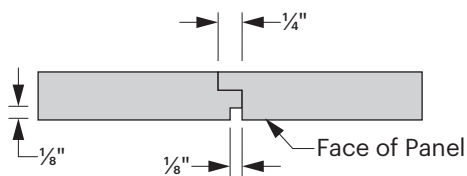
Chroma

Loose Seams (not glued)

Primarily used when panels are backlit.

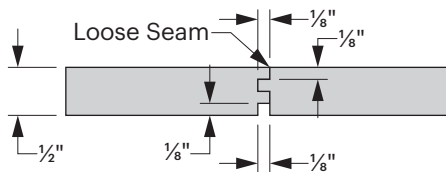
3form recommends using 3form Align hardware with loose seams.

Half Lap Quirk – great accessibility for multiple panel installations.



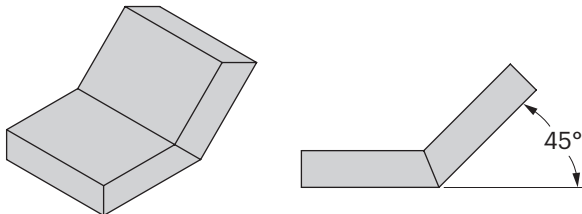
Only use in backlit applications.

Tongue and Groove Quirk – best aesthetic loose seam however accessibility is limited on larger installations.

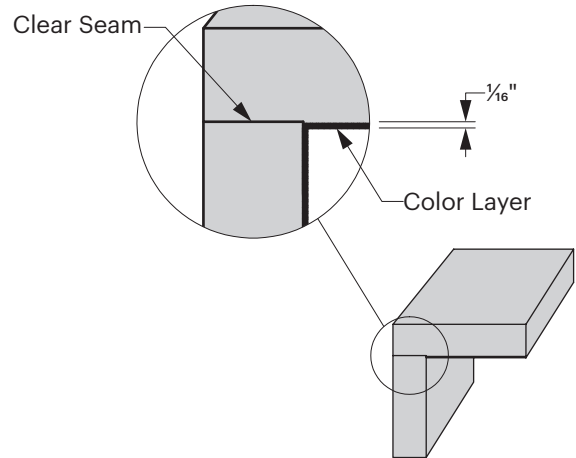


This can be used for backlit and non-backlit applications.

Miter Seams – use as a last resort and only on angles other than 90 degrees. (Air bubbles may be visible)



Light Seam – replaces miters and provides a monolithic corner condition.

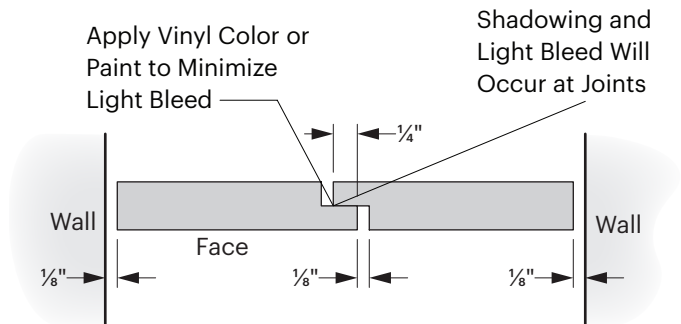


Additional Seams

Structural Seam – for large features beyond our sheet sizes.

Field Seam Prep – improves quality of field seaming. See 3form field seam document for more information. (3form field seaming kit is recommended)

Interior Expansion Joint – used when 3form material is bound between two fixed surfaces or when total width or length exceeds 10'.



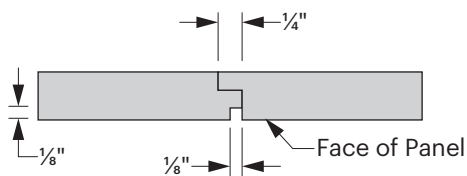
Varia

Loose Seams (not glued)

Primarily used when panels are backlit.

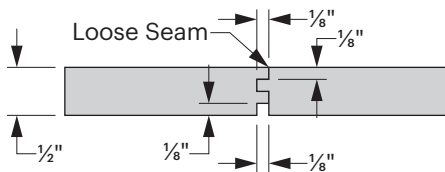
3form recommends using 3form Align hardware with loose seams.

Half Lap Quirk – great accessibility for multiple panel installations.

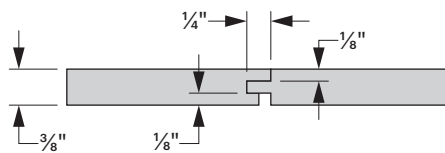


Only use in backlit applications.

Tongue and Groove Quirk – best aesthetic loose seam however accessibility is limited on larger installations.

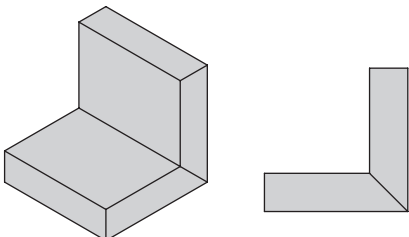


This can be used for backlit and non-backlit applications.

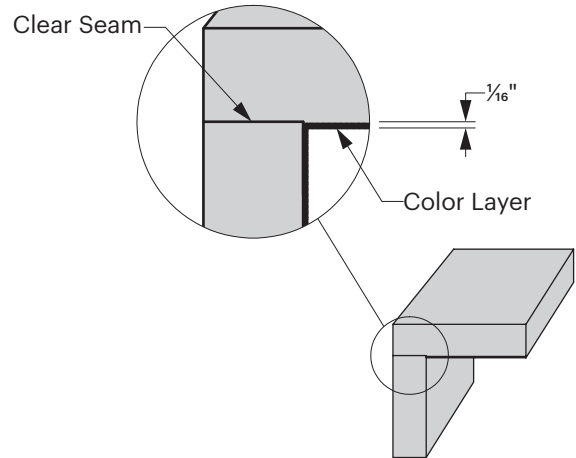


Only use in backlit applications.

Miter UV Glue Seam – very strong seam for most corner conditions. For use with 3/8" gauge or thicker. Only use with 1/4" gauge with smaller pieces.

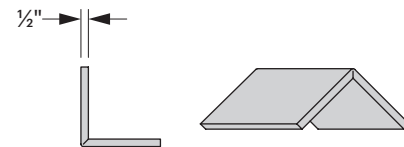


Light Seam – where radius panels meet a flat panel condition at a 90 degree angle.



Additional Seams

Line Bend – scoring the material then heating it so it bends to a 90 degree angle. This will result in a radius corner condition.



Tongue and Groove Seam – not recommended as a glued seam. It will show air in the seam.

Interior Expansion Joint – used when 3form material is bound between two fixed surfaces or when total width or length exceeds 10'.

