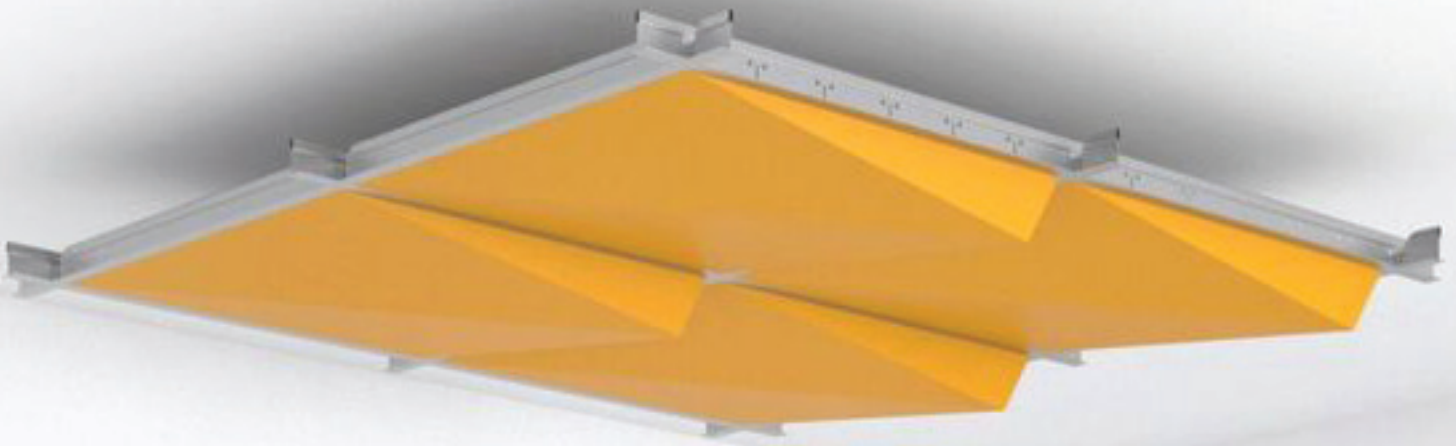


Ready To Go

# SimpleSpec 400.45-Tetria™

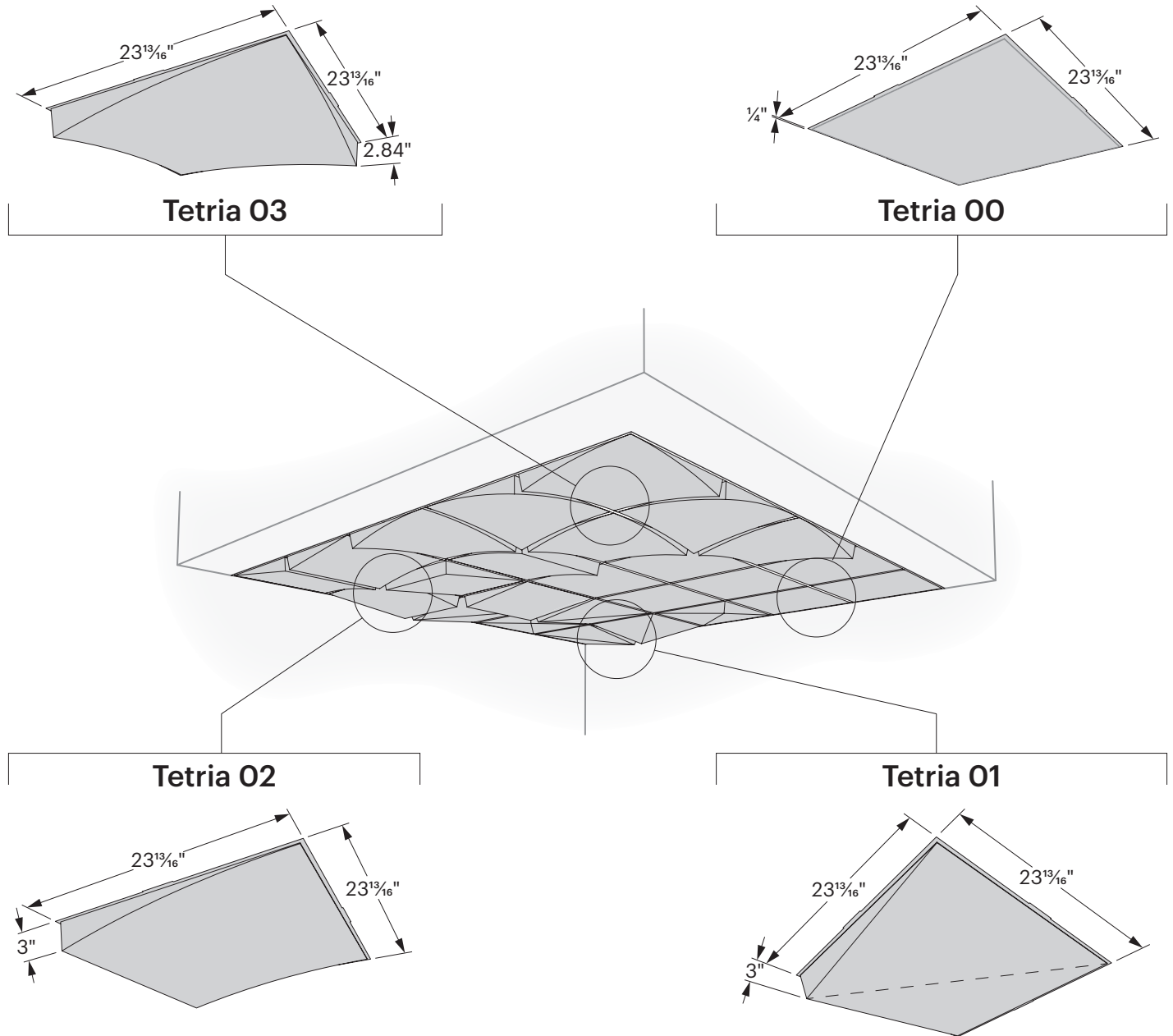
Installation Manual



For more information, please visit [3-form.com](http://3-form.com) or call 800.726.0126

SEPTEMBER 2020 | MAN-RTG-400-45 | REV 005 © 2020 3form, Inc. All rights reserved.

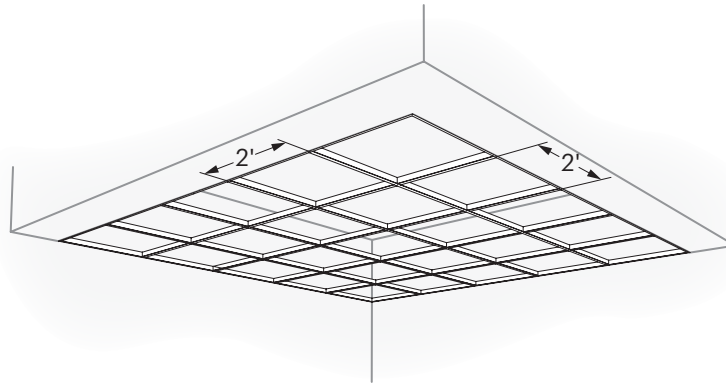
## Overview



### Installation

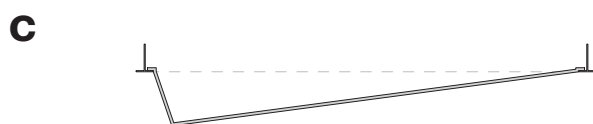
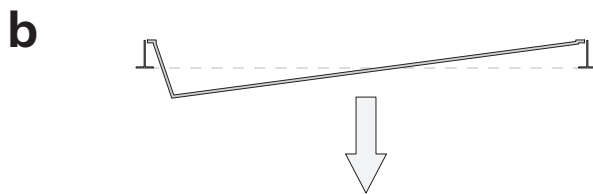
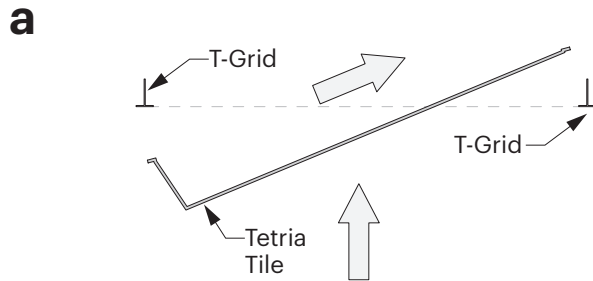
#### 1 Preparation

Prepare your ceiling to make sure your grid is set with 2'x2' openings.

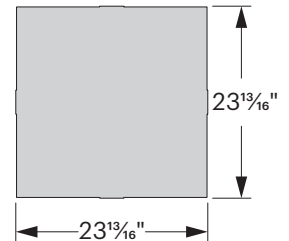


#### 2 Install Tile

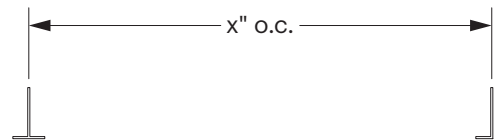
Angle the tile up in the T-grid cavity and drop the Tetria Tile so that all edges are resting flush in the grid system.



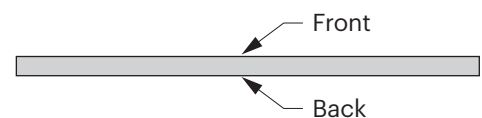
**d** If there is an obstruction in the ceiling (can light, non-square tile, sprinkler, etc.), a square 23<sup>13</sup>/<sub>16</sub>" x 23<sup>13</sup>/<sub>16</sub>" Tetria OO Tile will be supplied with your order. Use the configuration tool to indicate this upon specification.



**e** To trim Tetria Tiles, measure opening dimension from "on center" or spline dimension.



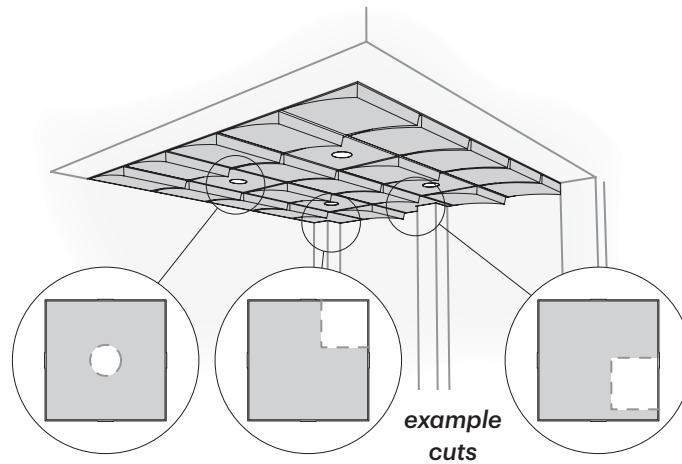
**f** Using a straight edge and utility knife, score and cut the material with the visible side up.



### Installation

## 2 Install Tile cont...

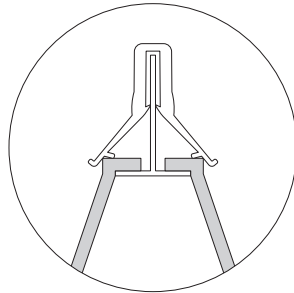
- g** For light fixtures and non-straight cutouts, take special care to cut/trim the Tetria OO Tile to fit the object.



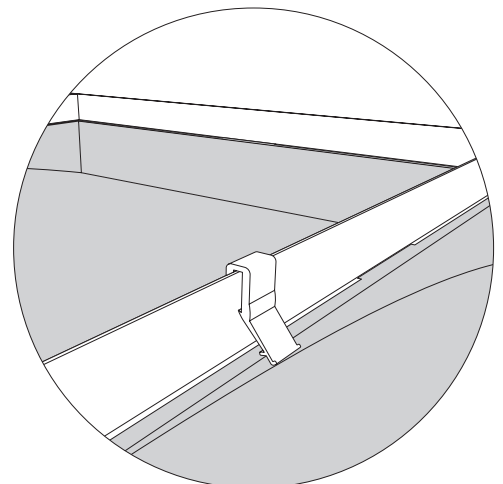
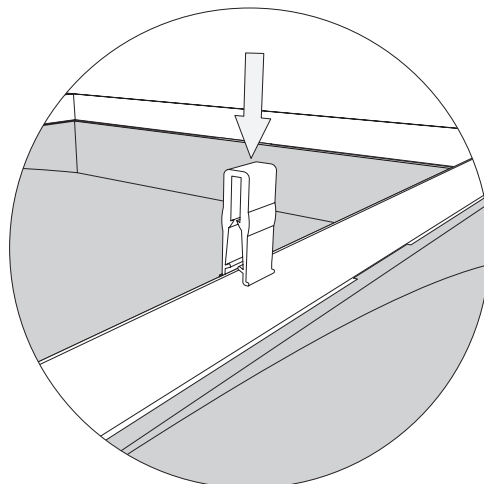
## 3 Install Ceiling Clip (Optional)



If desired, ceiling clips (3-15-2415) may be added to keep the Tetria Tiles more securely in place within the ceiling grid.



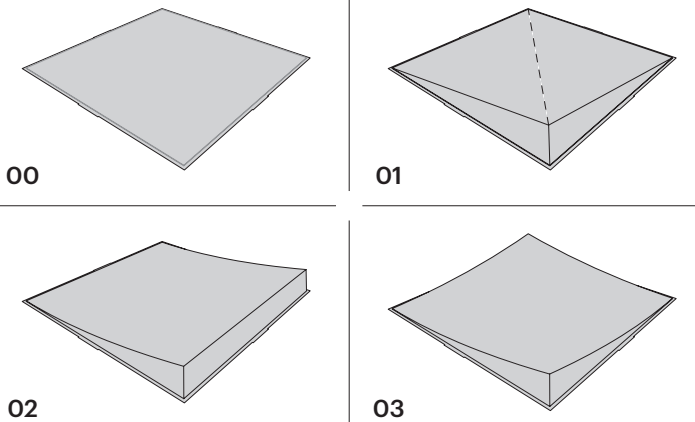
After installing two adjacent Tetria Tiles, reach up above the grid through an adjoining open space (where a tile has not been placed yet) and place the clip on the cross tee to push the Tetria Tile down in place.



### Product Description

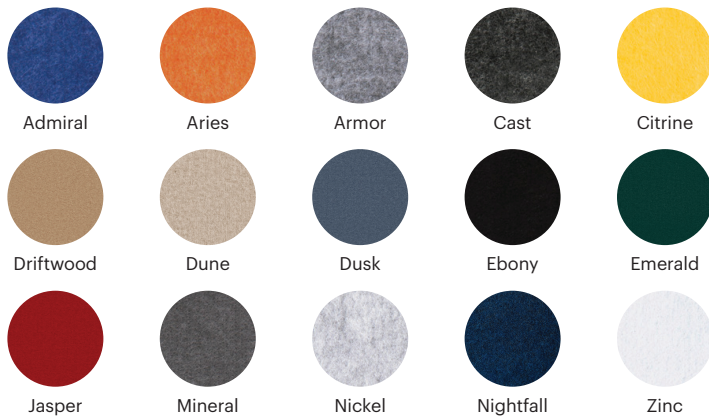
Tetria allows you to select from 3 different dimensional tiles to use in your existing T-grid drop ceiling application. Bring color, high acoustic performance and dimensional interest to your space.

### Design Options

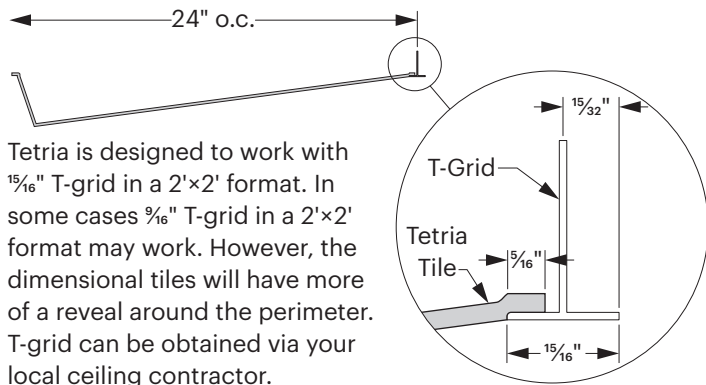


### Available Colors

Velo is available in any of 3forms's 15 Sola Felt colors.



### Grid Compatibility



### Panel Weight

Material	Weight Flux
Tetria Tile	0.3 lb/ft <sup>2</sup> (1.46 kg/m <sup>2</sup> )

### Sound Absorption Test Results

Material	Test - ASTM C 423	Result
Tetria Tile	NRC (Noise Reduction Coefficient)	0.90
Tetria Tile	SAA (Sound Absorption Average)	0.89
Tetria Tile	Alpha-W	0.90

### Flammability and Smoke Test Results

Building Code Approvals

Sola Felt has been independently tested and meet the criteria for approved interior finishes as described in the 2018 International Building Code®.

Test	Sola Felt	Result
ASTM E84 Flame Spread, 1/4" thickness Smoke Generated	10 105	Class A: 0-25 <450
CAN/ULC 102.2 TRIPLICATED Rounded Flame Spread (FSR) Rounded Smoke Developed (SDC)	75 200	See Building Code of Canada

### Cleaning Instructions

Tetria Tiles should be cleaned periodically. A regular, seasonal cleaning program will dramatically help prevent noticeable weathering and dirt build-up.

To remove airborne debris and dust, it is recommended to periodically vacuum Tetria Tiles. Please note the slight shedding of fibers from the Felt is normal and not indicative of any defect.

To treat liquid stains, remove spills immediately using a clean damp cotton cloth or with detergent soap and warm water. Carpet and fabric cleaners can usually be used; always test an inconspicuous area before the actual stain.

**Do:**

- Vacuum or use a soft brush to clean Tetria Tiles

**Do not:**

- Use strong solvents, highly alkaline or abrasive cleaning agents.
- Do not completely saturate module with cleaning solution or water.