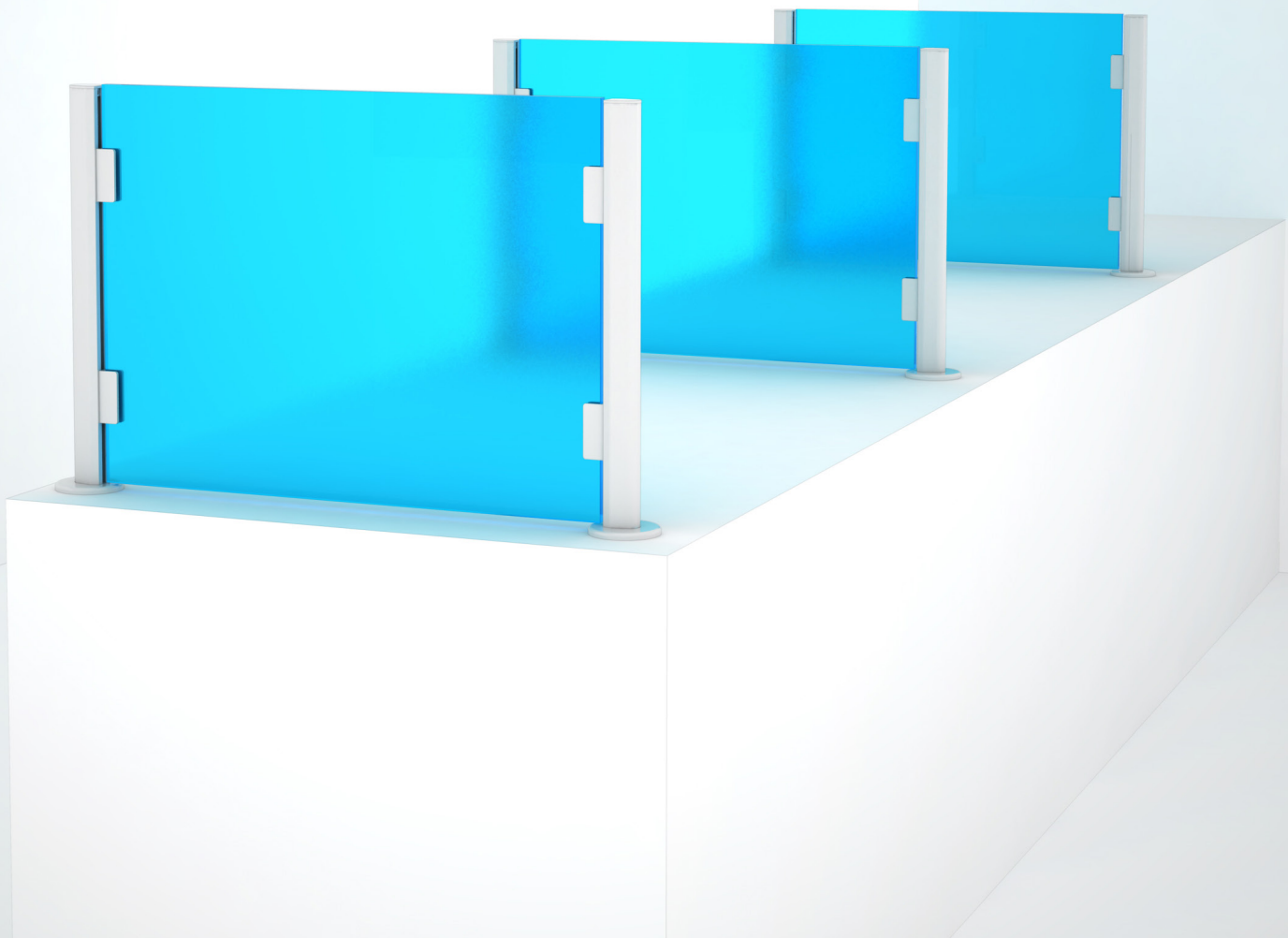


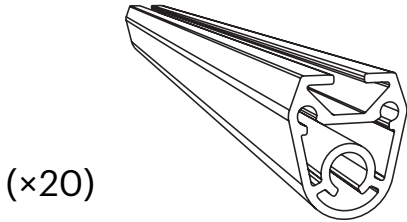
Ready To Go  
**SimpleSpec 200.22™**

**Installation Manual**



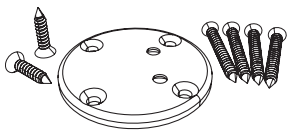
For more information, please visit [3-form.com](http://3-form.com) or call 800.726.0126  
DECEMBER 2018 | MAN-RTG-200-22 | REV 001 © 2018 3form, Inc. All rights reserved.

### Contents Overview



(x20)

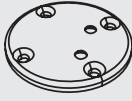


**Slim One Extrusion**  
0-15-0119

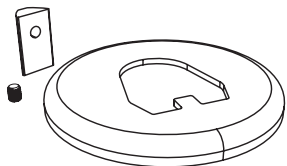


(x20)

**3" Bottom Plate for Slim Profiles KIT**  
3-15-0705-K

=




|   |   |   |   |   |
|---|---|---|---|---|
|  | + |  | + |  |
| (x20)   |   | (x80)   |   | (x40)   |
| Versa Bottom Plate 3"<br>3-15-0705  |   | 3/16" x 1-3/4" Fastener<br>3-15-0842  |   | 12 x 1 FH SQ SMS<br>3-15-0868   |

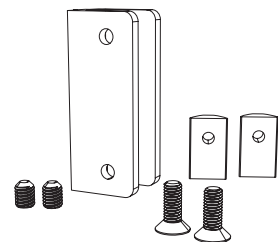


(x20)

**Bottom Plate Cover - Slim One KIT**  
3-15-0706-K

=





|   |   |   |   |   |
|---|---|---|---|---|
|  | + |  | + |  |
| (x20)   |   | (x20)   |   | (x20)   |
| Bottom Plate Cover 3" for Slim One<br>3-15-0706                                     |   | M5 T-Nut for 15-15 Extrusion<br>3-15-0806   |   | M5 x 6mm Set Screw Flat Point<br>3-15-0815  |

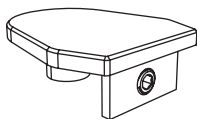


(x40)

**3/8" Side Bracket KIT**  
3-15-0787-K

=

|   |   |   |   |   |   |   |
|---|---|---|---|---|---|---|
|  | + |  | + |  | + |  |
| (x80)   |   | (x40)   |   | (x80)   |   | (x80)   |
| Set Screw M6 x 8 Cup Point<br>3-15-0774   |   | Side Bracket (U-Channel Clamp)<br>3-15-0787   |   | M5 x 14mm Countersunk Screw<br>3-15-0794  |   | M5 T-Nut for 15-15 Extrusion<br>3-15-0806   |

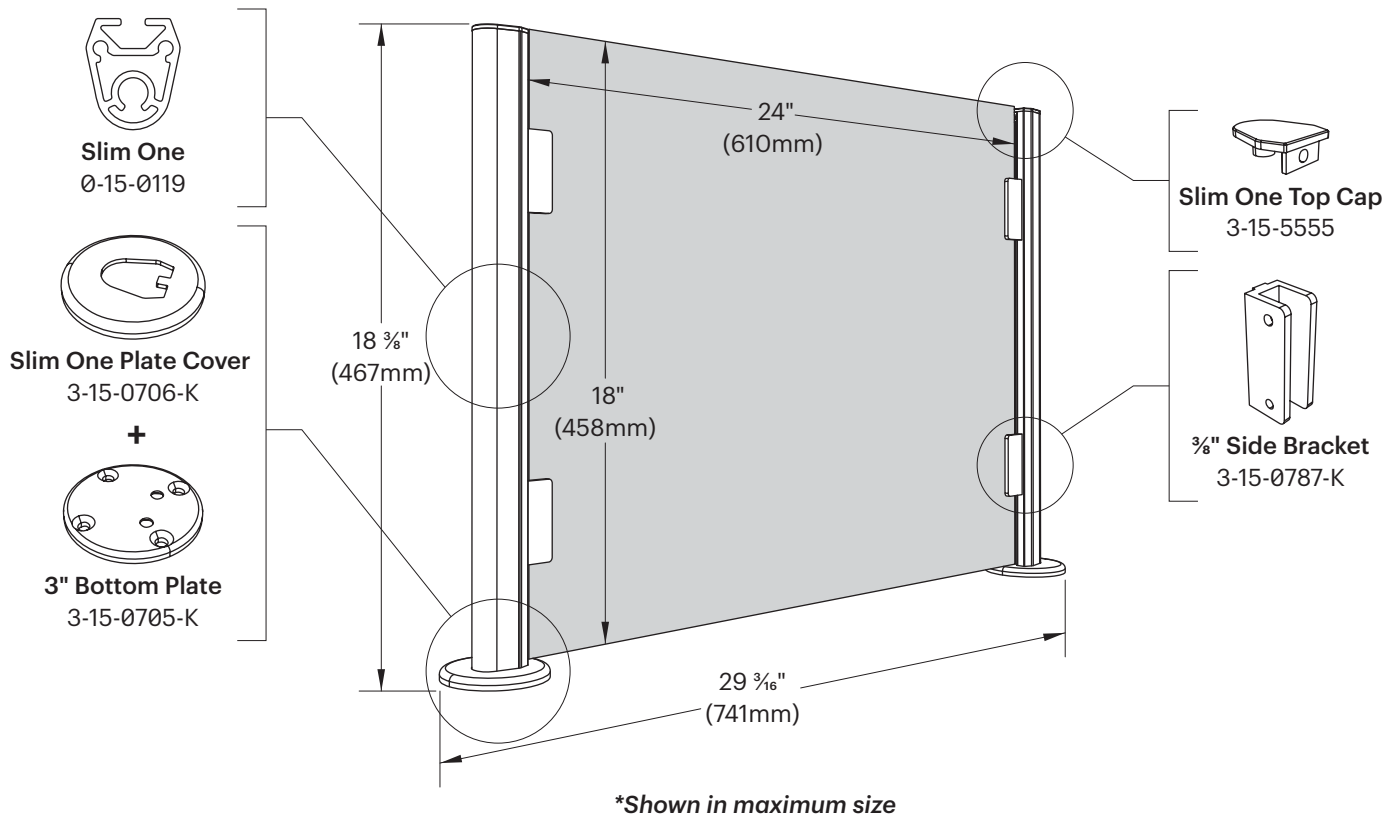


(x20)

**Top Cap for Slim One Profile**  
3-15-5555

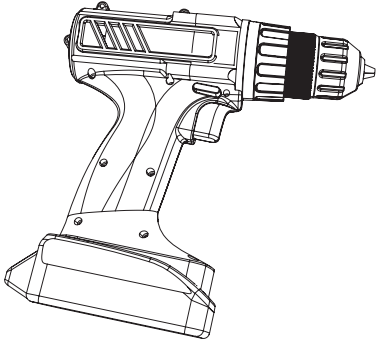
### Overview

The *Versa Slim* system is designed specifically for wall header or horizontal surface privacy applications, with a 3" diameter baseplate to fasten directly to the surface and add an elegant touch to any appropriate application.

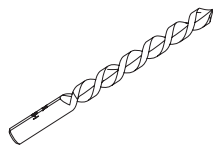


## Installation

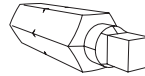
### Required Tools



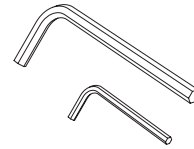
Drill



1/64" Bit

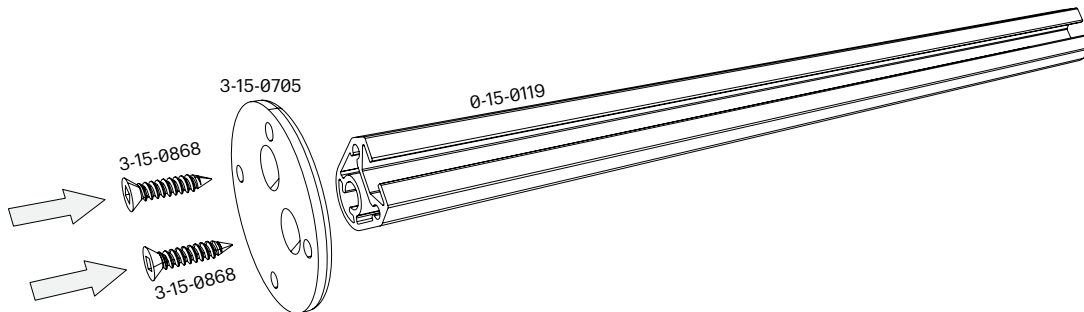


#3 Square Head Bit



Metric Allen Wrenches

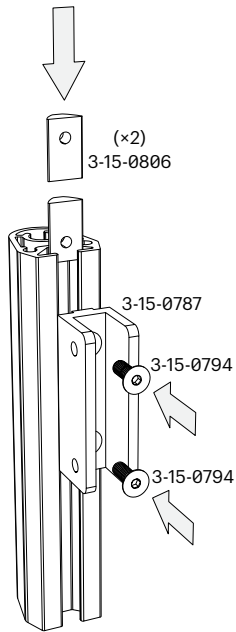
## 1 Base Plate Assembly



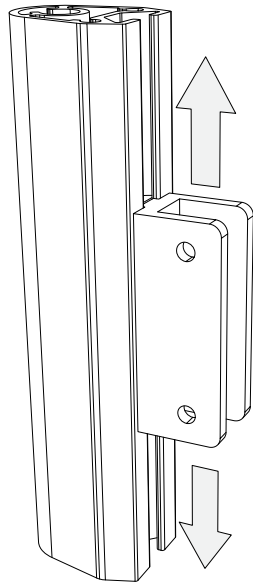
### Installation

#### 2 Dry-Fit + Measure

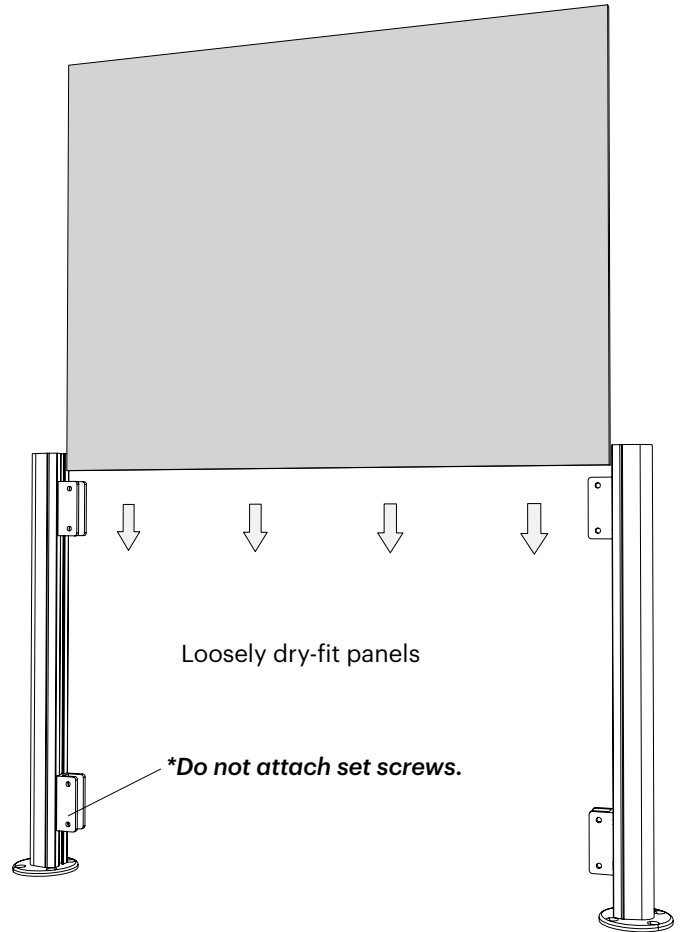
**a** Loosely insert



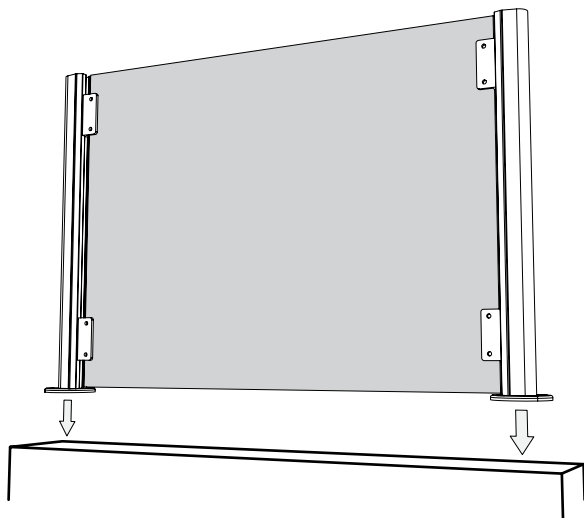
**b**



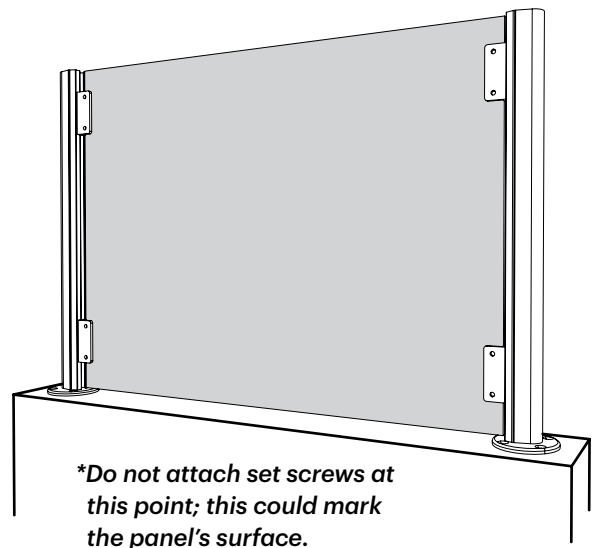
**c**



**d**



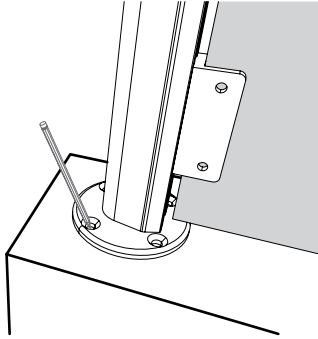
**e**



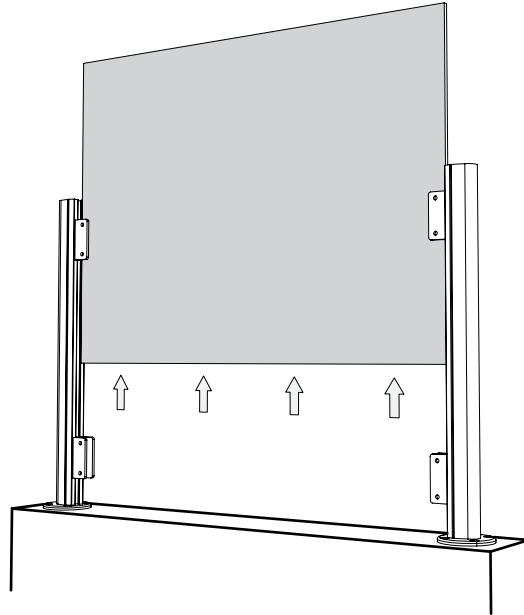
### Installation

#### 2 Dry-Fit + Measure cont...

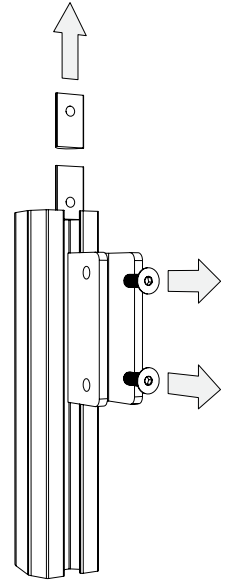
f



g

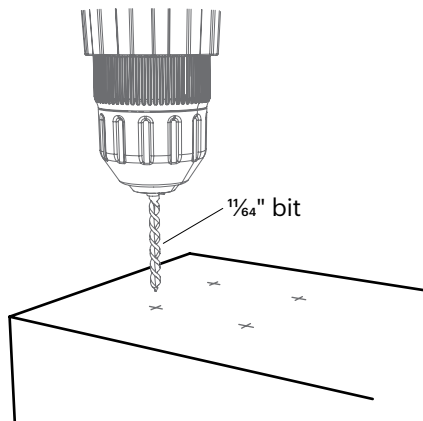


h



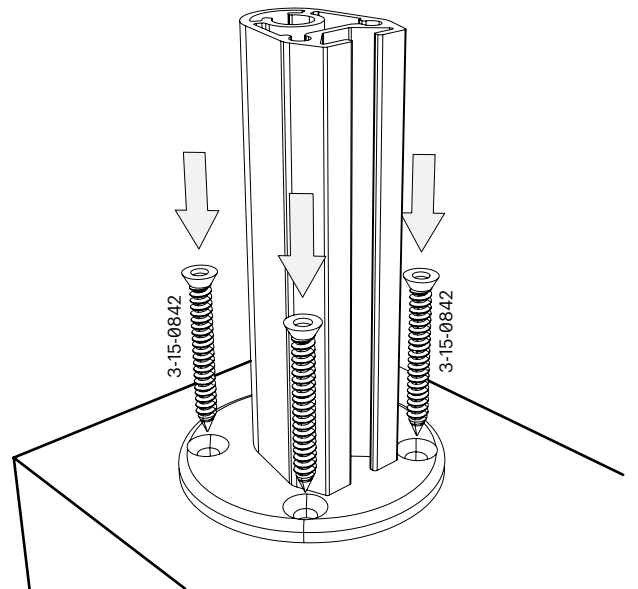
#### 3 Drill + Anchor + Attach

a



1/64" bit

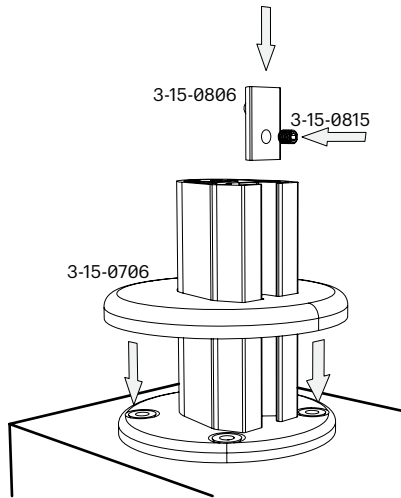
b



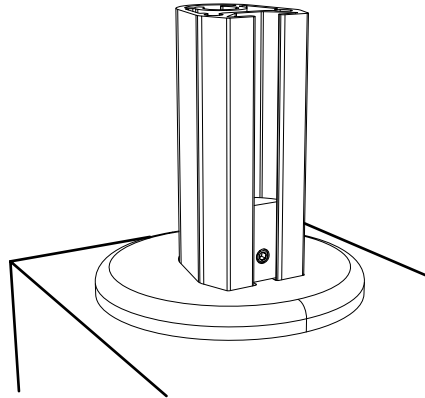
### Installation

#### 4 Assembly

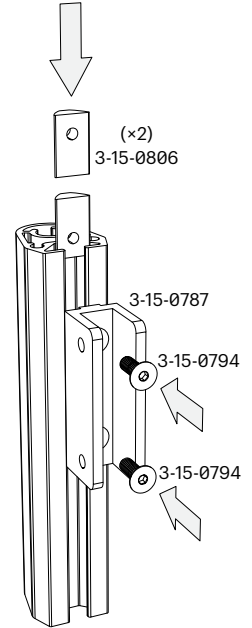
a



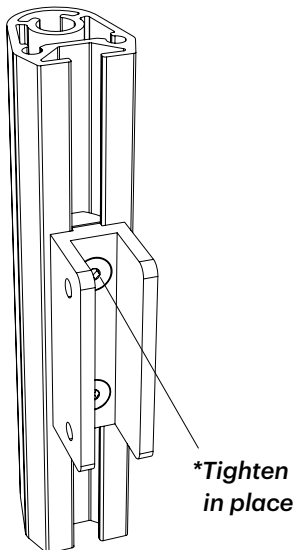
b



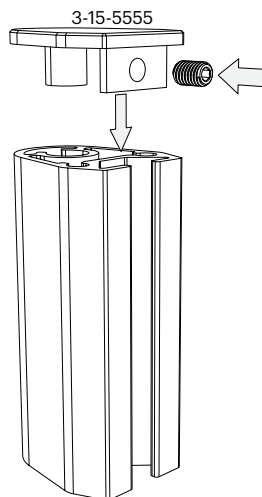
c



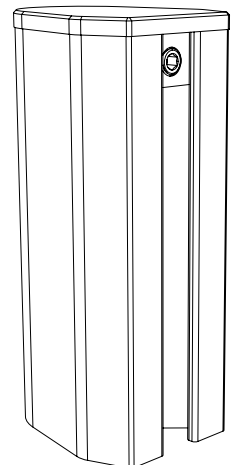
d



e



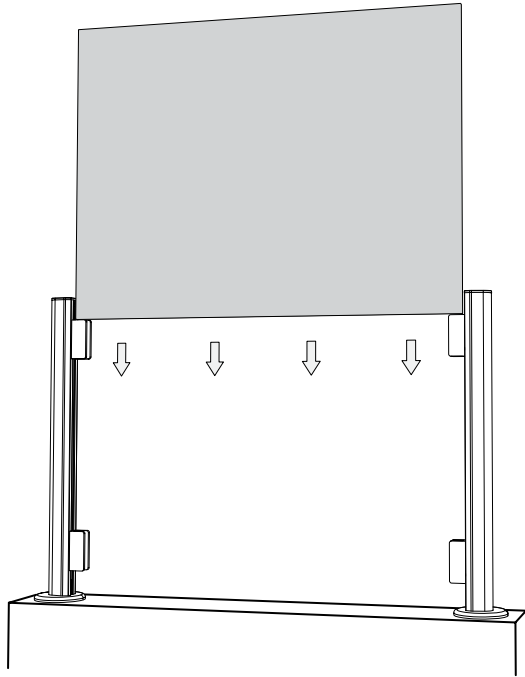
f



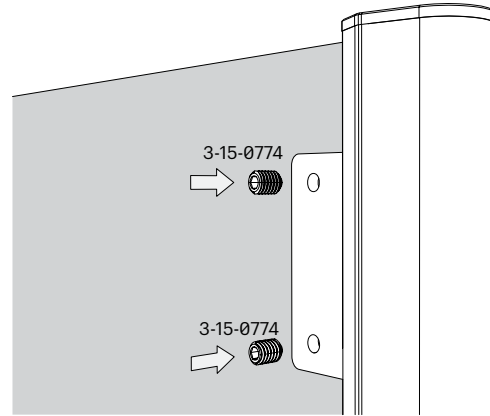
### Installation

#### 5 Place + Attach Panel

a



b



c

