

Ready To Go

200.65 - Divy Mobile™

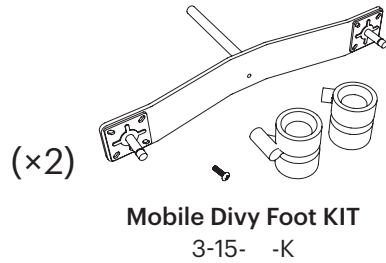
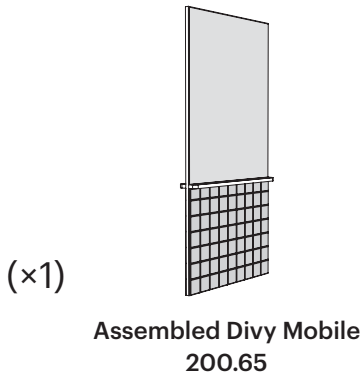
Solution Document



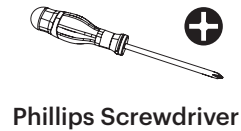
For more information, please visit [3-form.com](https://www.3-form.com) or call 800.726.0126

MARCH 2020 | MAN-RTG-200-65 | REV 004 © 2020 3form, Inc. All rights reserved.

Contents Overview

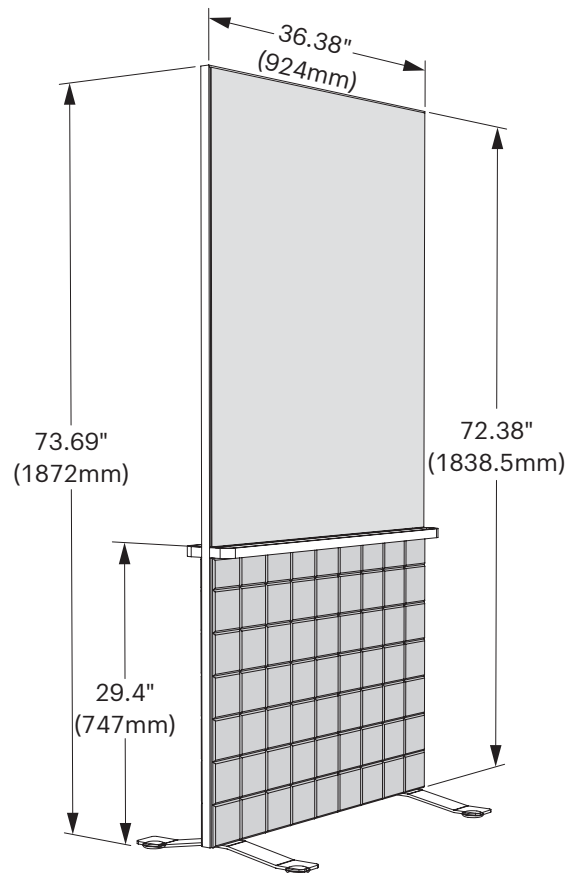
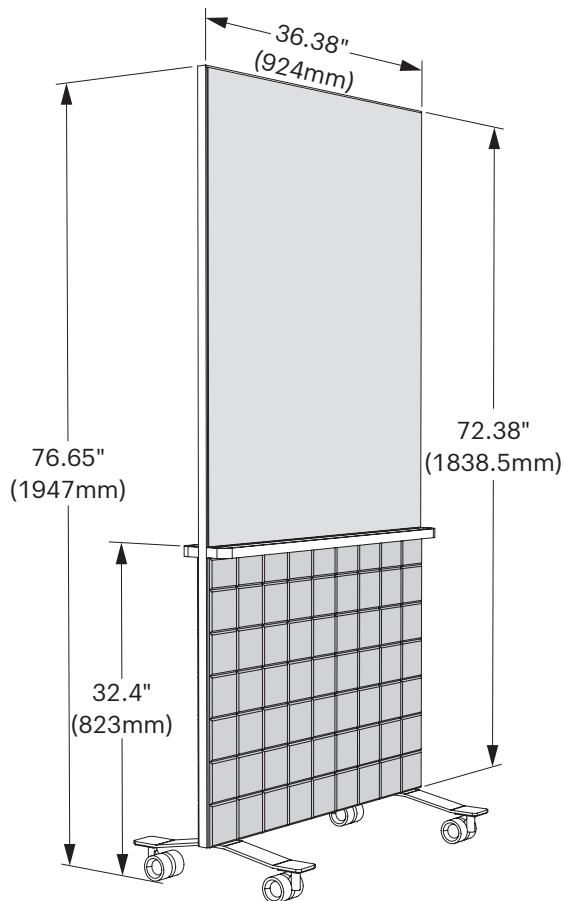


Required Tools



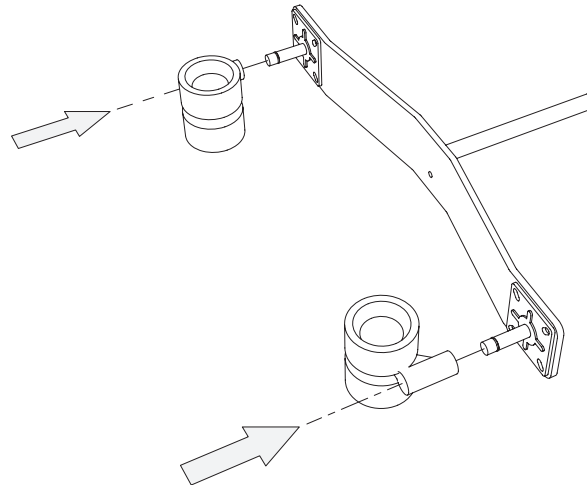
Overview

The SimpleSpec 200.65 solution is a free standing application that serves as a movable way to partition or divide space. The markerboards on both sides add additional functionality.

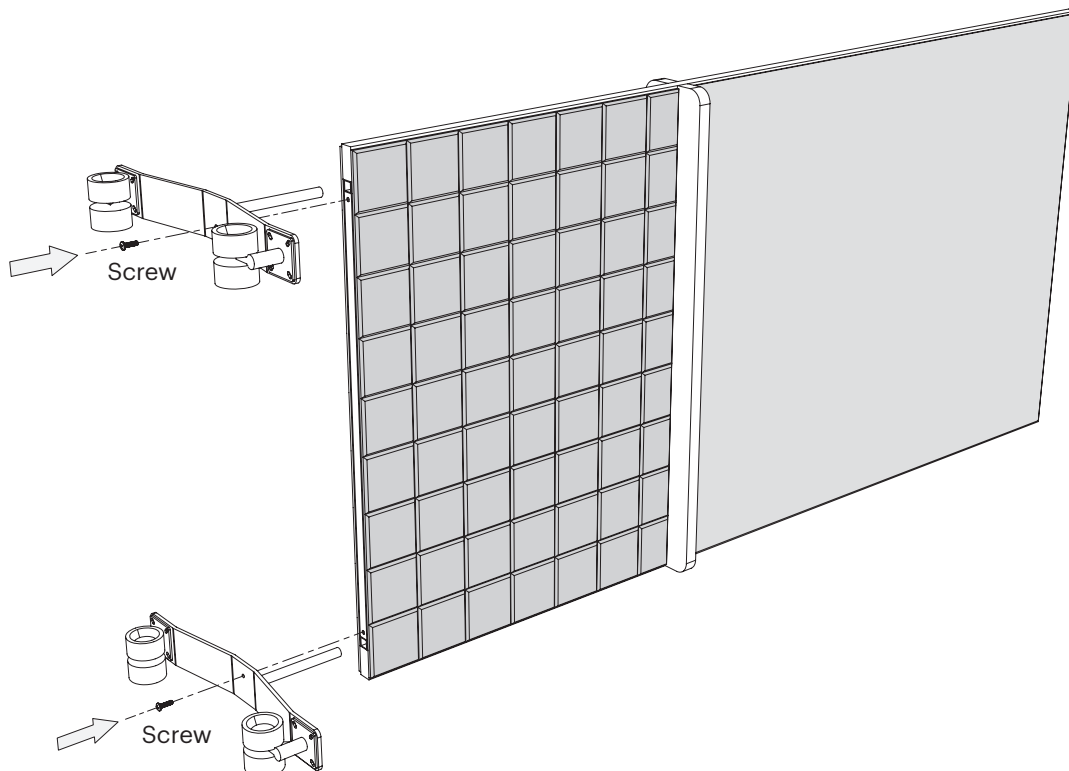


Installation

1 Attach Casters to Mounting Plate (×2)



2 Attach Mounting Plate to Mobile Divy

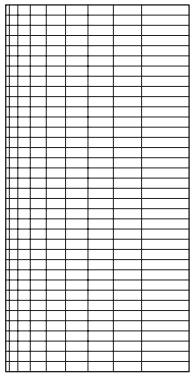


Divy Product Description and Specifications

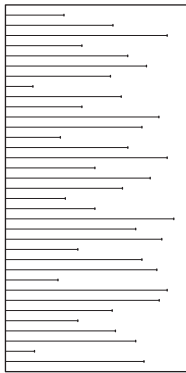
Features and Benefits

- 15 color options
- 6 base patterns
- Noise Reduction Coefficient (NRC) up to 0.75
- Cost-effective decorative feature
- Easy to specify
- Easy to install

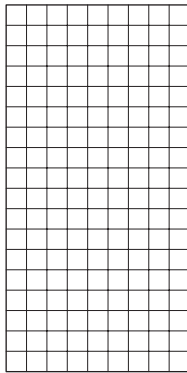
Available Patterns



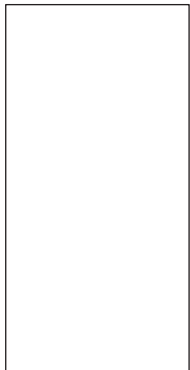
Accord



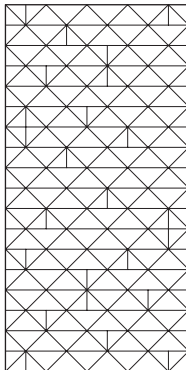
Margin



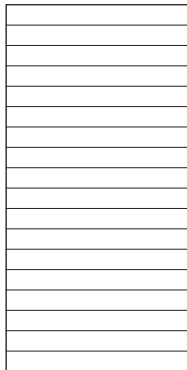
Net



Plane



Quint



Vim

Cleaning Instructions

Divy Panels should be cleaned periodically. A regular, seasonal cleaning program will dramatically help prevent noticeable weathering and dirt build-up.

To remove airborne debris and dust, it is recommended to periodically vacuum Divy Panels. Please note the slight shedding of fibers from the Felt is normal and not indicative of any defect.

To treat liquid stains, remove spills immediately using a clean damp cotton cloth or with detergent soap and warm water. Carpet and fabric cleaners can usually be used; always test an inconspicuous area before the actual stain.

Do:

- Vacuum or use a soft brush to clean Divy Panels.

Do not:

- Use strong solvents, highly alkaline or abrasive cleaning agents.
- Do not completely saturate module with cleaning solution or water.

Available Finishes

Divy Panels can be specified in any of 3form's 15 Sola Felt options.



Flammability and Smoke Test Results - Building Code Approvals

Divy Panels have been independently tested and meet the criteria for approved interior finishes as described in the 2018 International Building Code®.

Test	Sola Felt 3/8"	Result
ASTM E84 Flame Spread Smoke Generated	50 300	Class B: 26-75 <450
CAN/ULC 102.2 Flame Spread Smoke Generated	75 200	See Building Code of Canada

Sound Absorption Test Results

Solution	Test-ASTM C423-09	Result
Divy	Noise Reduction Coefficient	0.75
Divy	Sound Absorption Average	0.76
Divy	Alpha-W	0.70H

Panel Weight

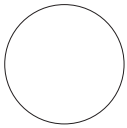
Solution	Thickness	Weight
Divy Partition	1.5" (38.1mm)	36 lbs (16.3 kg)

Markerboard Product Description

Features and Benefits

- **Material Type:** Varia
- **Weight:** 0.8 lbs per square foot
- **Gauge:** 1/8"
- **Finish:** Gloss
- Divy Mobile markerboards are supplied standard with a magnetic surface that can be used with any rare-earth magnetic accessories

Color Options



Whiteout

Cleaning Instructions

Do:

- Use Low Odor Dry Erase markers from a reputable brand. It is best to store markers horizontally so that the felt tips do not dry out. Avoid using markers with dried out tips.
- Use a dry, soft cloth for cleaning. Press firmly when erasing using a circular motion.
- Please remember to use a clean cloth/eraser when erasing. A dirty cloth/eraser will leave ink residue on the writing surface. Microfiber cloths are preferred over felt erasers because they can be machine laundered making them easier to keep clean.
- For periodic cleaning, rinse the entire writing surface with soapy water and then dry with a soft cloth.
- To remove any permanent marker ink, use a 50:50 solvent solution of isopropyl alcohol and water. You can also trace over any areas of permanent marker ink with a dry erase marker and erase using a dry, soft cloth.

Do not:

- Use sharp object such as pens, pointers, metal magnets, rings/jewelry, knives, scrapers on your writing surface.
- Drag magnets across your writing surface.
- Use felt erasers, scouring pads or other harsh cleaners on your writing surface.
- Use any abrasive material or fingernails to remove table or stickers.
- Expose edges of panel to moisture or cleaning solutions.